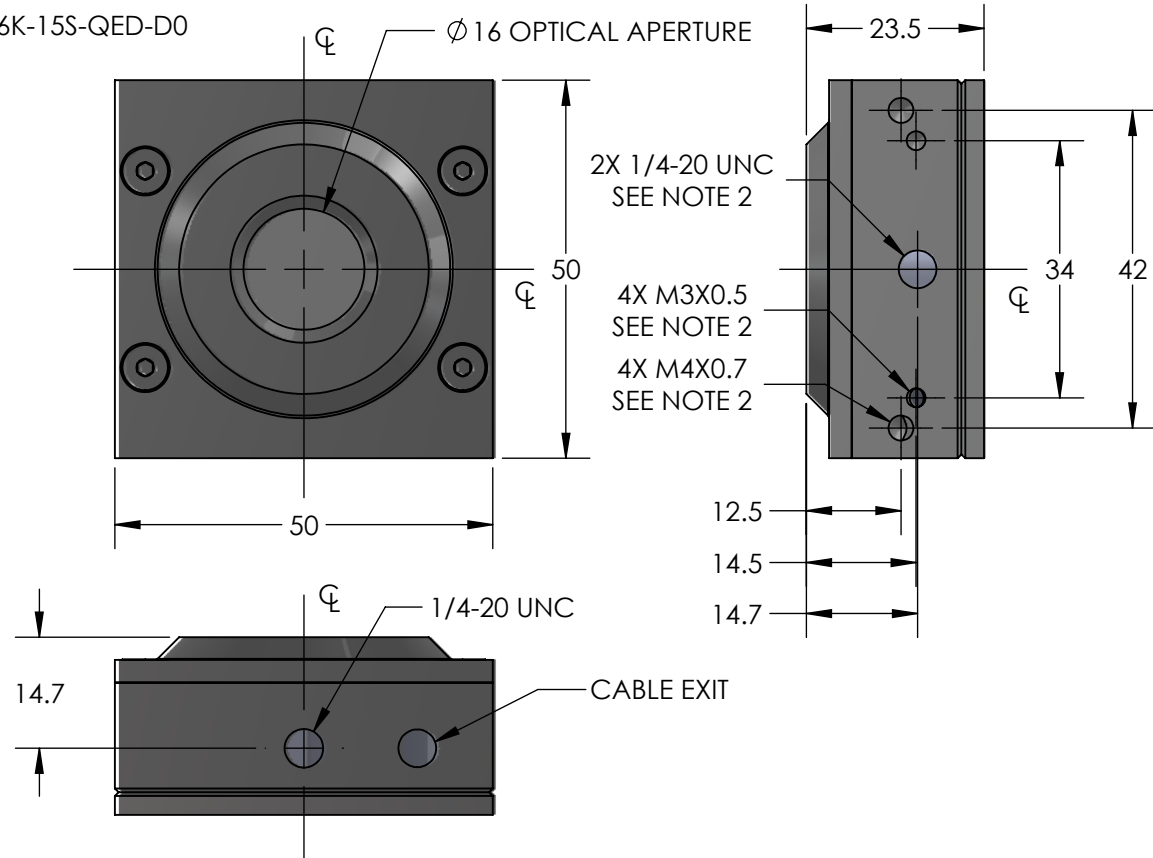
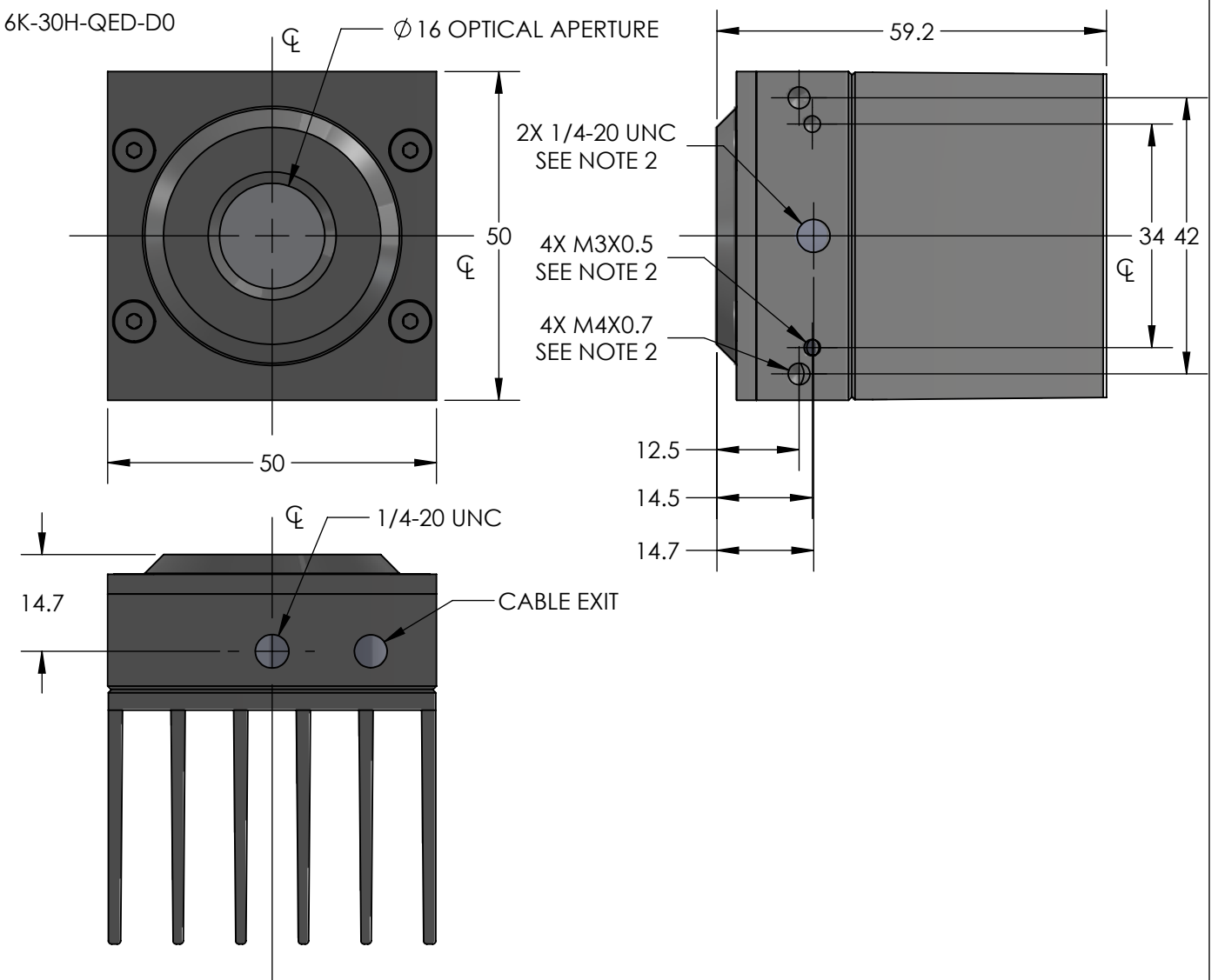


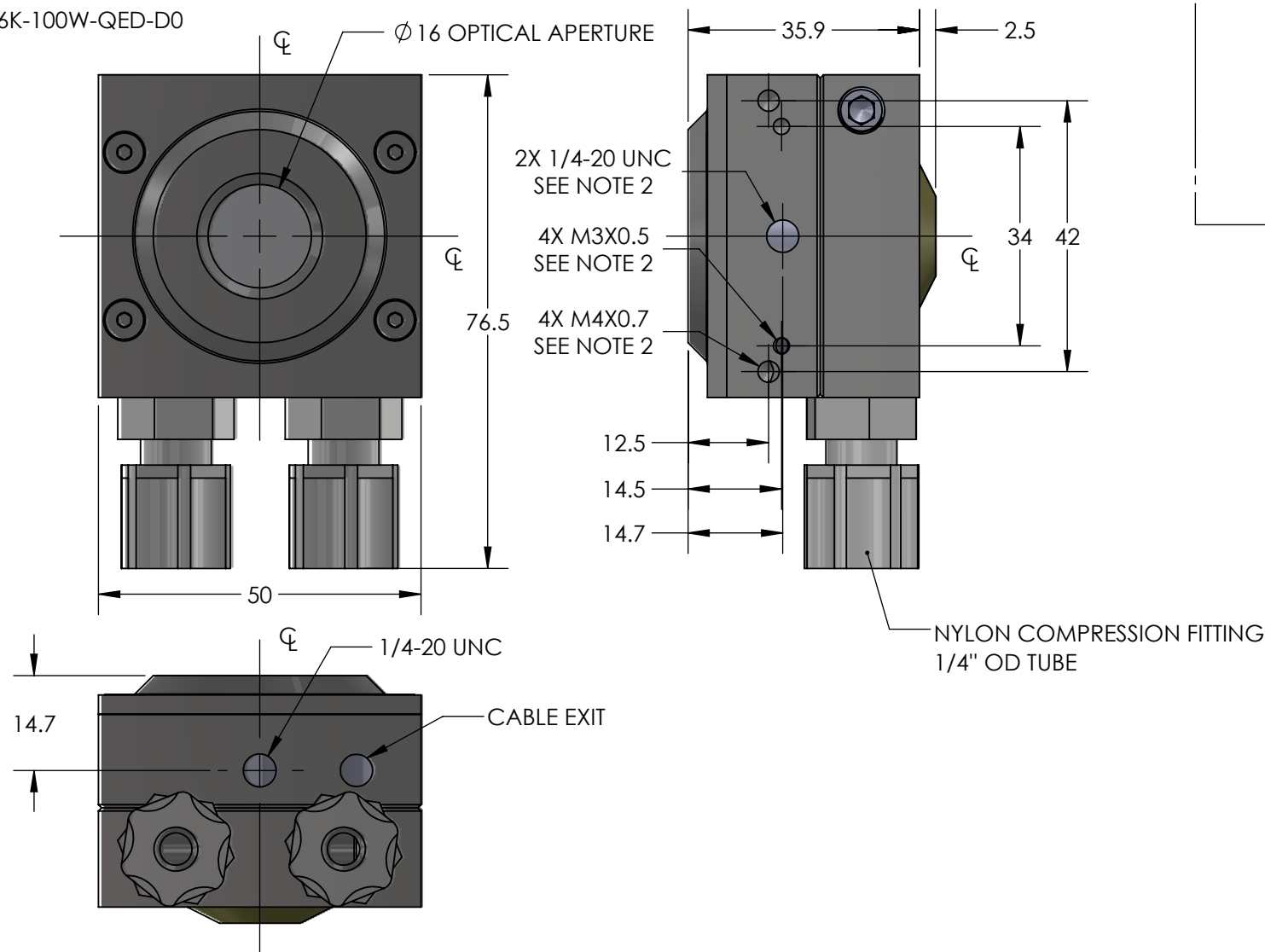
UP16K-15S-QED-D0



UP16K-30H-QED-D0

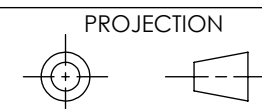


UP16K-100W-QED-D0



- NOTES:
 1. DIMENSIONS IN mm
 2. BOTH SIDES HAVE THE SAME HOLE DISPOSITION

IMPORTANT:
 THIS DOCUMENT IS PROPERTY OF GENTEC ELECTRO-OPTICS, IT CANNOT BE DISTRIBUTED, USED OR REPRODUCED IN WHOLE OR IN PART WITHOUT EXPRESS WRITTEN AUTHORIZATION



REF.	REVISION	DATE	VER	APP
TOLERANCE				
DEC.	±			
FRAC.	±			
ANGLE	±			
APP.				
VER.				
	R.LABERGE			
DATE	2018-08-31			
	1:1			
gentec-EO				
LAYOUT DRAWING UP16K...QED UP...QED				
SK-9860				A3