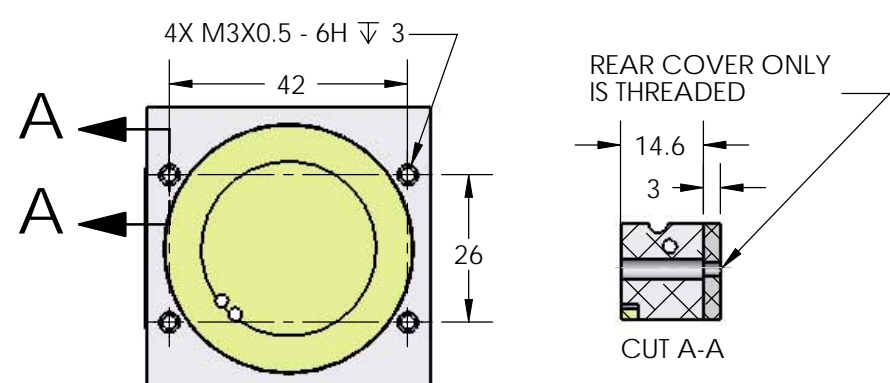
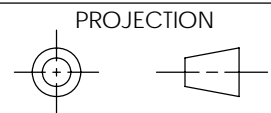


- NOTES:**
 1- DIMENSIONS IN mm
 2- THREADED 0.782"-32 UN, 2B
 3- FASTENER LENGTH = 17.6mm + THICKNESS OF CUSTOMER SUPPLIED MOUNT
 4- WATTMETER MUST BE FASTENED FROM THE FRONT IN ORDER TO SUPPORT THE BODY, THE THERMAL DISK AND THE REAR COVER OR HEATSINK.
 5- DOES NOT APPLY TO UP19K-xxx-VM/VR
 6- WHEN USED WITH FIBER OPTIC ADAPTERS, THE UP19K-xxx-W5 MUST BE EQUIPPED WITH AN OPTIONAL FRONT COVER HAVING A Ø19mm MECHANICAL APERTURE, THREADED 0.782"-32 UN, 2B.

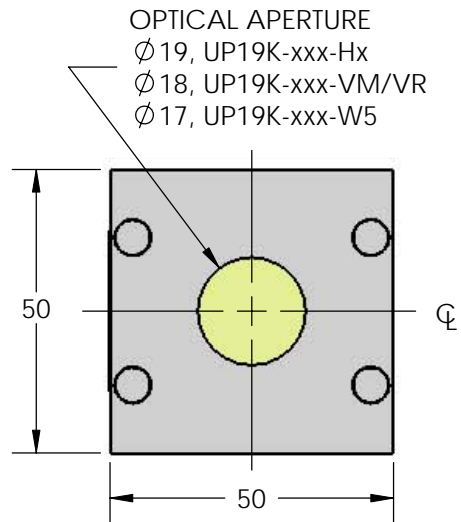


IMPORTANT:
 THIS DOCUMENT IS PROPERTY OF GENTEC ELECTRO-OPTICS, IT CANNOT BE DISTRIBUTED, USED OR REPRODUCED IN WHOLE OR IN PART WITHOUT EXPRESS WRITTEN AUTHORIZATION

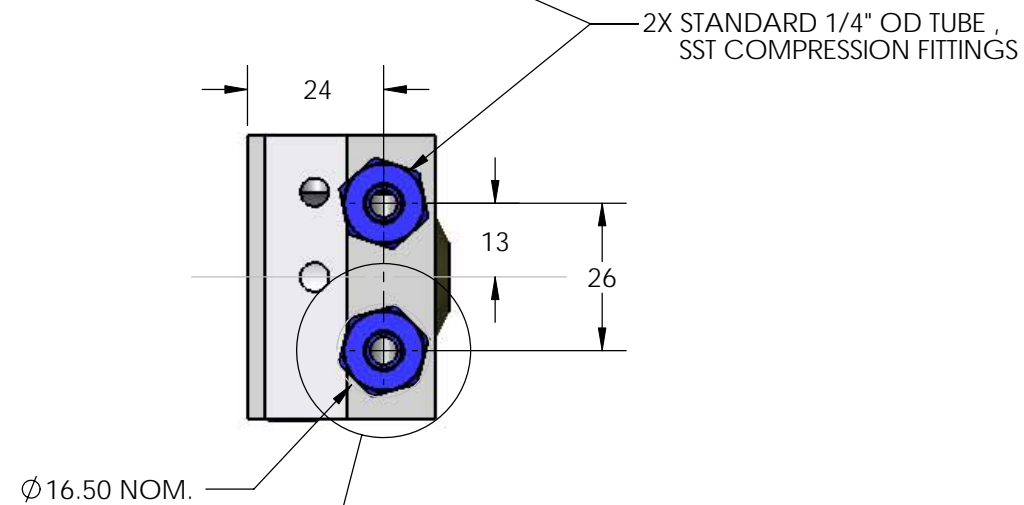
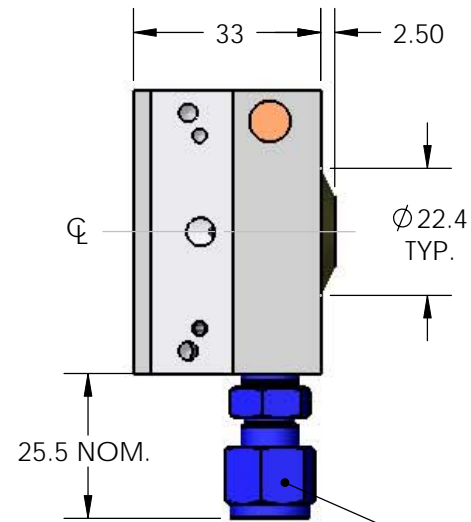


C	VR INFORMATION ADDED	09/11/18	RVH		
REF.	REVISION	DATE	VER	APP	
TOLERANCE					
DEC.	±				
FRAC.	±				
APP.	ANGLE	LAYOUT DRAWING			
VER.	√	UP19K... (WITHOUT PCB)			
Ronald VH		SK-8477			
DATE	13/12/2005	1 OF 3		A3	
	3:4				

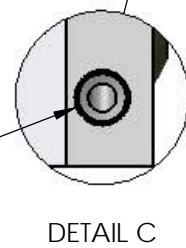
**FRONT VIEW,
UP19K...**



UP19K-100DI/150DI



2X 1/8 NPT ∇ 12
 (COMPRESSION
 FITTING REMOVED)



NOTES:
 1- DIMENSIONS IN mm
 2- SEE P1 OF 3 FOR OTHER DETAILS

IMPORTANT:
 THIS DOCUMENT
 IS PROPERTY OF
 GENTEC ELECTRO-
 OPTICS, IT CANNOT
 BE DISTRIBUTED, USED
 OR REPRODUCED IN
 WHOLE OR IN PART
 WITHOUT EXPRESS
 WRITTEN AUTHORIZATION

REVISION	C	SEE PAGE 1 FOR DETAILS
----------	---	------------------------

TOLERANCE	
DEC.	\pm
FRAC.	\pm
ANGLE	\pm
$\sqrt{\quad}$	

SEE PAGE 1 FOR APPROVAL
Ronald VH

DATE	13/12/2005
------	------------

	3:4
--	-----

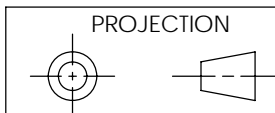


LAYOUT DRAWING
 UP19K... (WITHOUT PCB)

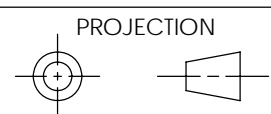
SK-8477

2 OF 3

A3



IMPORTANT:
 THIS DOCUMENT
 IS PROPERTY OF
 GENTEC ELECTRO-
 OPTICS, IT CANNOT
 BE DISTRIBUTED, USED
 OR REPRODUCED IN
 WHOLE OR IN PART
 WITHOUT EXPRESS
 WRITTEN AUTHORIZATION



REF.	REVISION	DATE	VER	APP																				
C	VR INFORMATION ADDED	09/11/18	RVH																					
B	NOTE 6 ADDED, RELATIVE TO UP19K-xxx-W5	29012007	RVH																					
A	UP19K... DI VERSION ADDED TO P2 OF 2	17072006	RVH																					
<table border="1"> <tr> <td colspan="2">TOLERANCE</td> <td rowspan="4" style="text-align: center; vertical-align: middle;"> </td> </tr> <tr> <td>DEC.</td> <td>±</td> </tr> <tr> <td>FRAC.</td> <td>±</td> </tr> <tr> <td>ANGLE</td> <td>±</td> </tr> <tr> <td>APP.</td> <td colspan="2" rowspan="3" style="text-align: center; vertical-align: middle;"> REVISION HISTORY UP19K... (WITHOUT PCB) </td> </tr> <tr> <td>VER.</td> </tr> <tr> <td>— Ronald VH</td> </tr> <tr> <td>DATE</td> <td>13/12/2005</td> <td rowspan="2" style="text-align: center; vertical-align: middle;"> SK-8477 3 OF 3 </td> <td rowspan="2" style="text-align: center; vertical-align: middle;"> A4 </td> </tr> <tr> <td></td> <td></td> </tr> </table>					TOLERANCE			DEC.	±	FRAC.	±	ANGLE	±	APP.	REVISION HISTORY UP19K... (WITHOUT PCB)		VER.	— Ronald VH	DATE	13/12/2005	SK-8477 3 OF 3	A4		
TOLERANCE																								
DEC.	±																							
FRAC.	±																							
ANGLE	±																							
APP.	REVISION HISTORY UP19K... (WITHOUT PCB)																							
VER.																								
— Ronald VH																								
DATE	13/12/2005	SK-8477 3 OF 3	A4																					