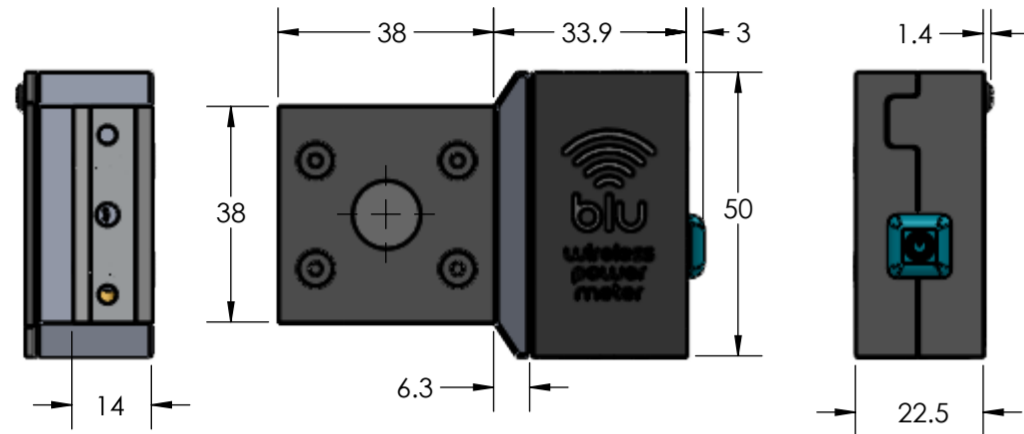


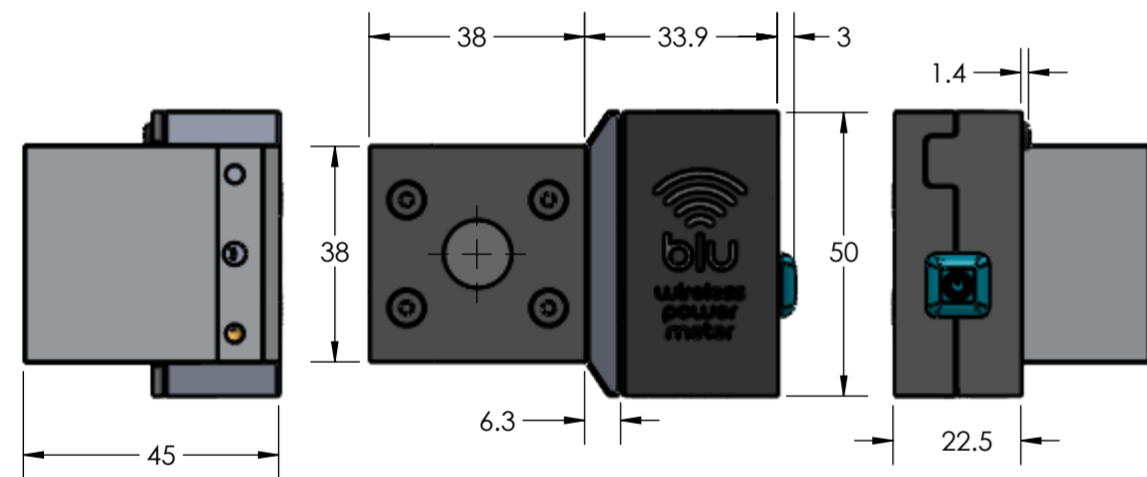
UP12 SERIES

SEE NOTE 2

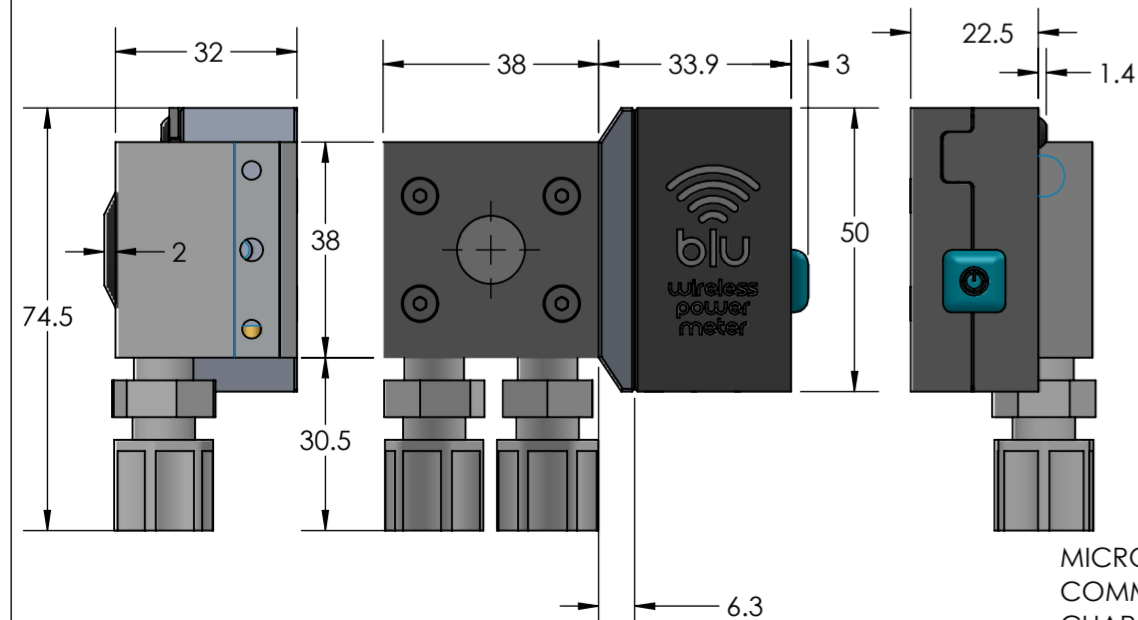
UP12E-10S-H5-BLU



UP12E-20H-H5-BLU



UP12E-70W-H5-BLU

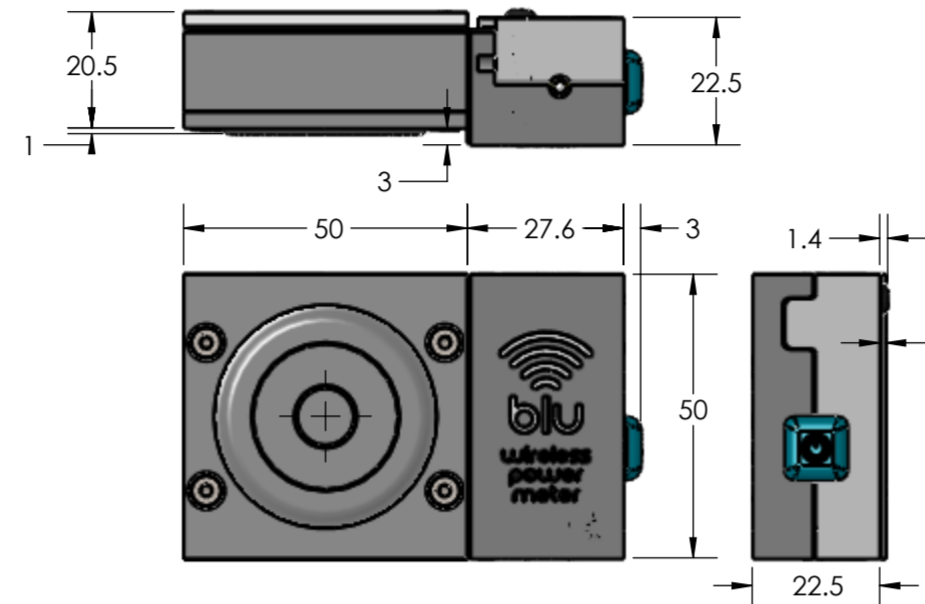


MICRO USB CONNECTOR, COMMUNICATION, CHARGING PORT
SEE NOTE 3

UP10 SERIES

SEE NOTE 2

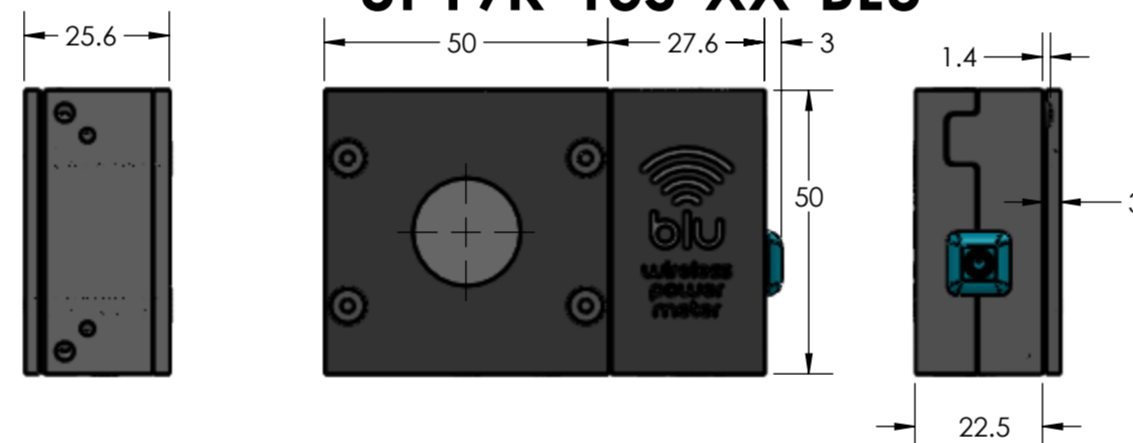
UP10K-2S-H5-L-BLU



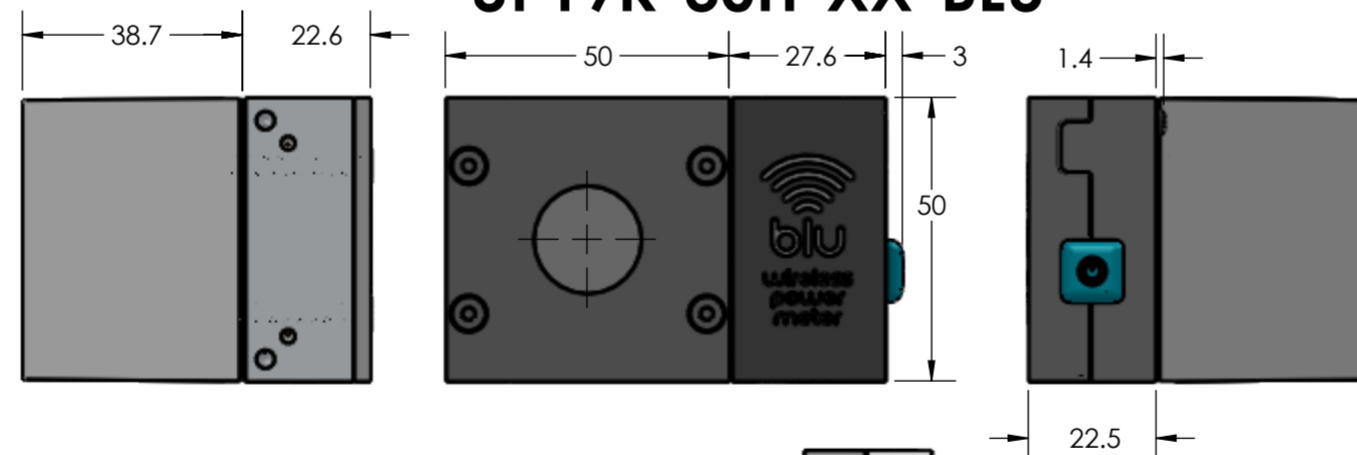
UP19 SERIES

SEE NOTE 2

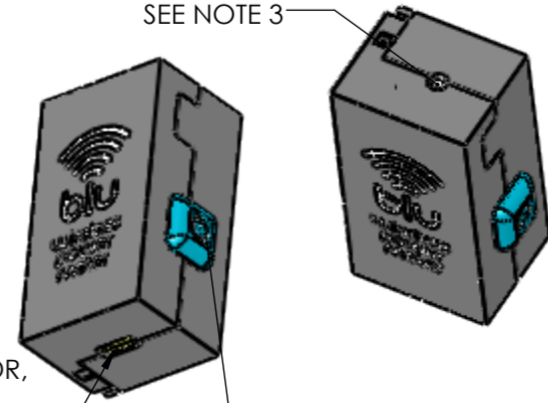
UP19K-15S-XX-BLU



UP19K-30H-XX-BLU



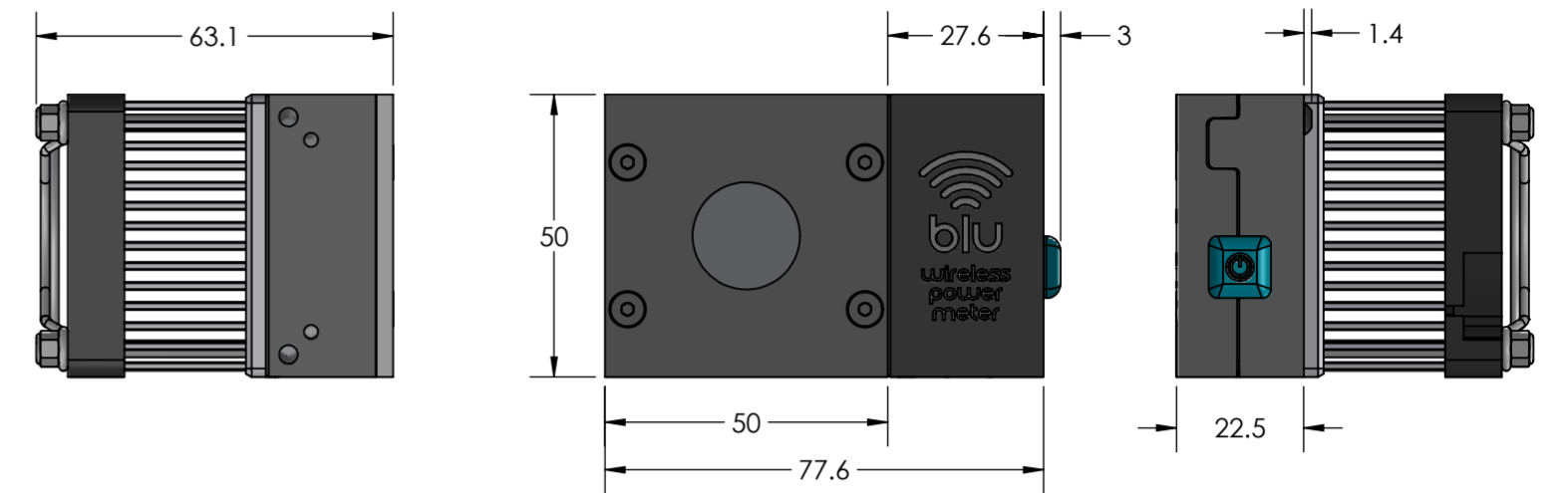
STATUS LED
SEE NOTE 3



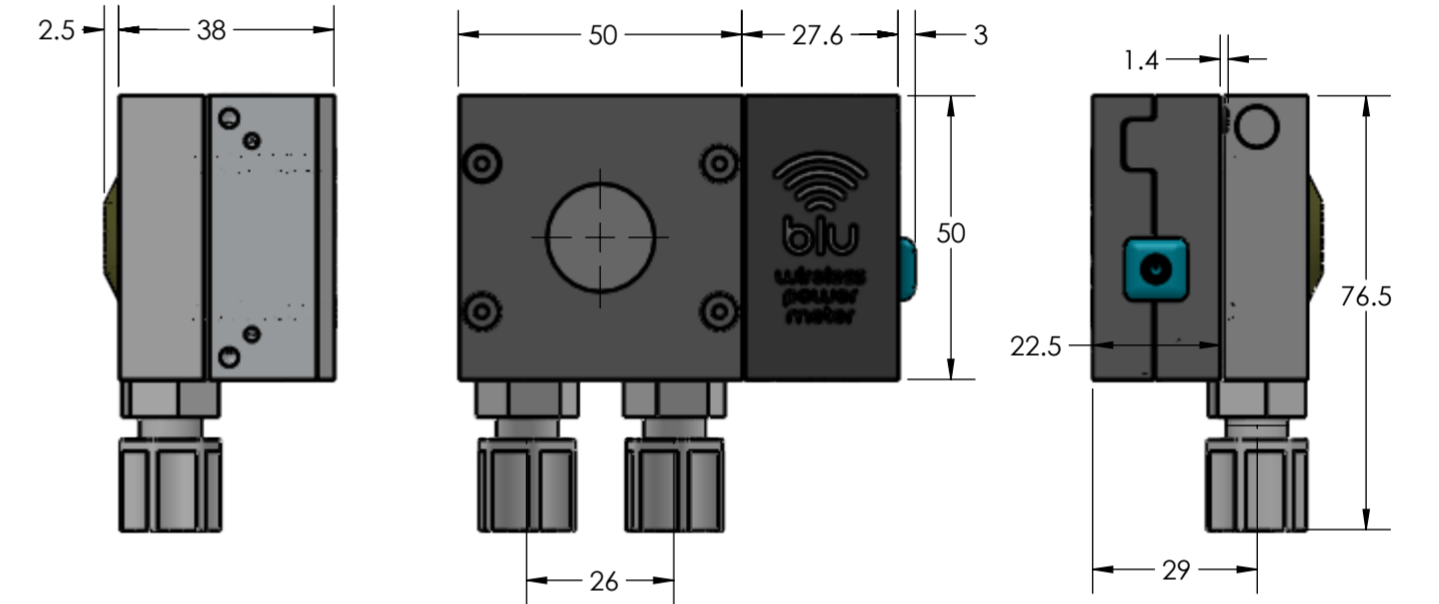
POWER ON/OFF
SEE NOTE 3

NOTES:
1- DIMENSION IN mm
2- FOR DETECTOR DETAILS, SEE DRAWINGS:
UP10K SERIES: SK-9529
UP12 SERIES: SK-8478
UP19 SERIES: SK-8476
UP55C-2.5KW-HD-BLU-D0: SK-9295
XLP12: SK-8698
3- REFER TO "BLU, WIRELESS POWER METER" MANUAL FOR MORE DETAILS

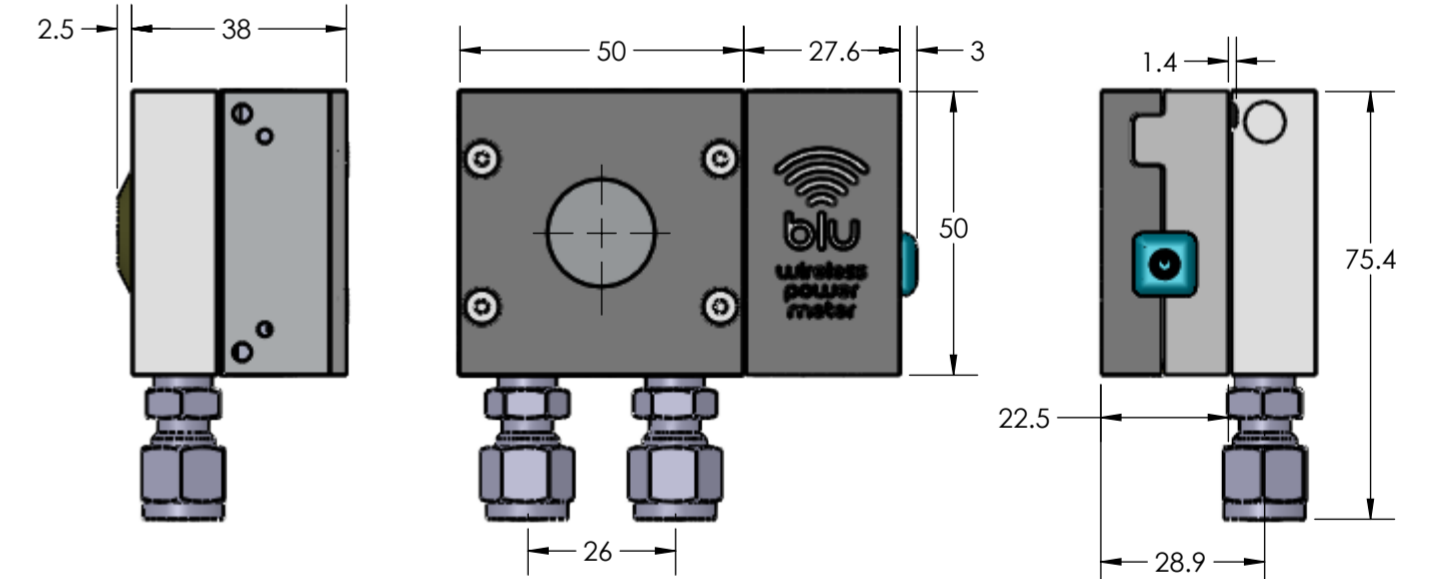
UP19K-50F/110F-W5/H9-BLU



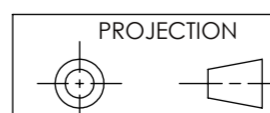
UP19K-50W/150W/200W-W5/H5/H9-BLU



UP19K-100DI/150DI-XX-BLU



IMPORTANT:
THIS DOCUMENT IS PROPERTY OF GENTEC ELECTRO-OPTICS, IT CANNOT BE DISTRIBUTED, USED OR REPRODUCED IN WHOLE OR IN PART WITHOUT EXPRESS WRITTEN AUTHORIZATION



B	UP19K-110F-BLU : MODEL UPDATE	2019/09/05	RL	
A	NEW MODELS ADDED	2019/01/31	SB	
REF.	REVISION	DATE	VER	APP



APP.
VER.
S. BOUCHARD
DATE 2017/11/16
0.75:1

LAYOUT DRAWING
BLU, WIRELESS POWER METER
UP25/50/55N(M) SERIESUP 12/19 SERIES

SK-9770

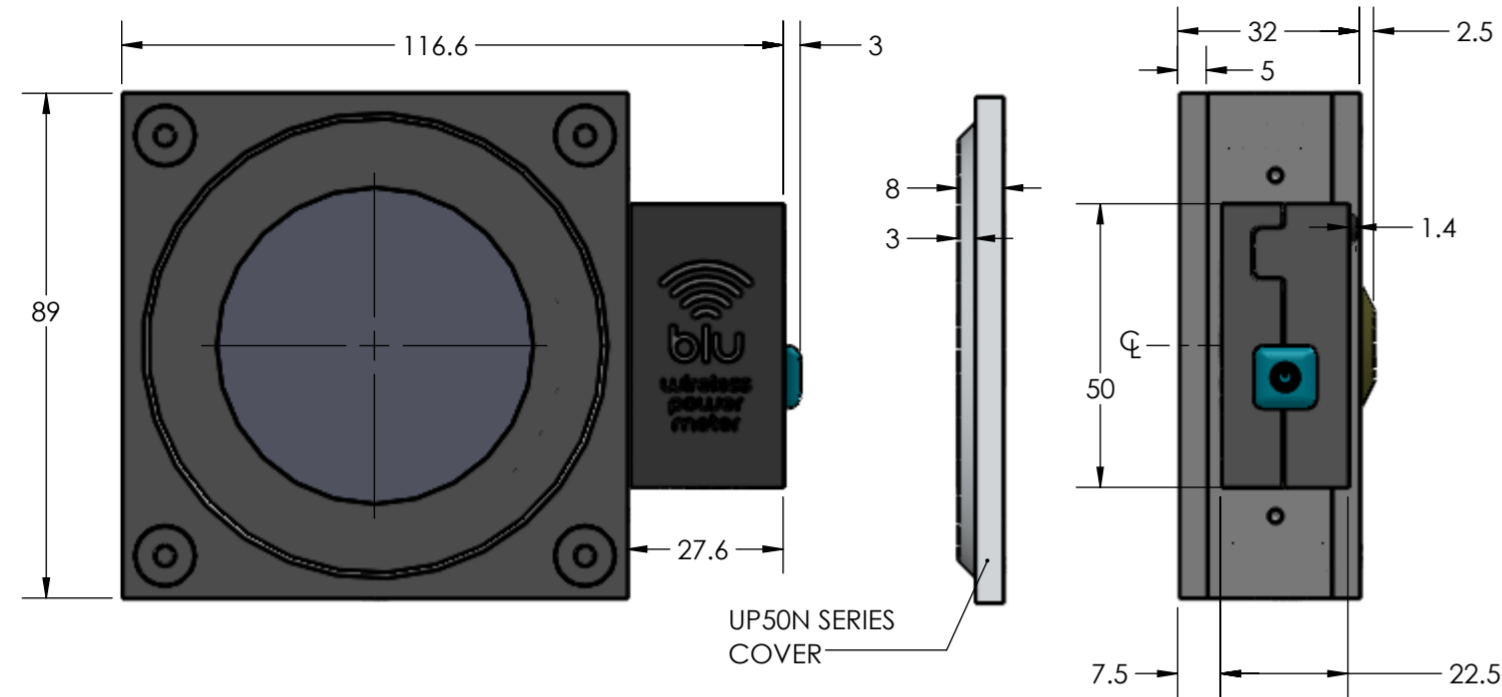
A2

P 1 OF 3

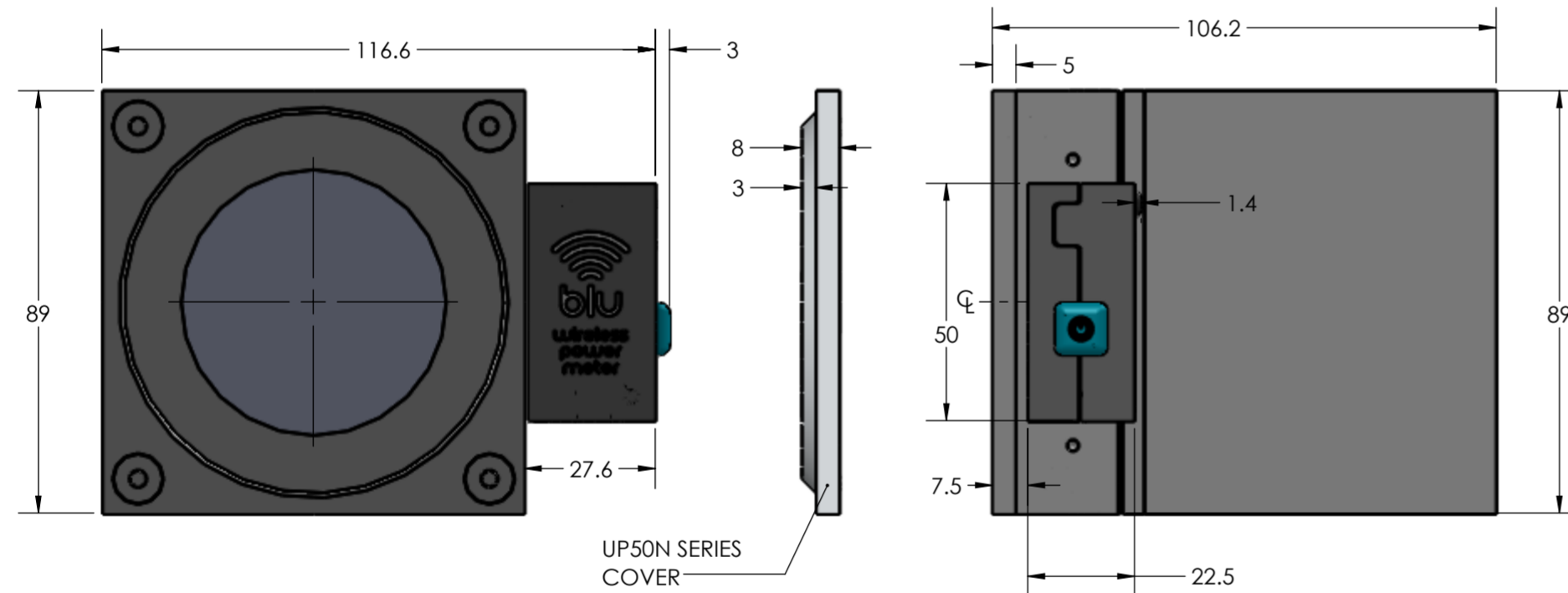
UPXX N(M) SERIES

SEE NOTE 2

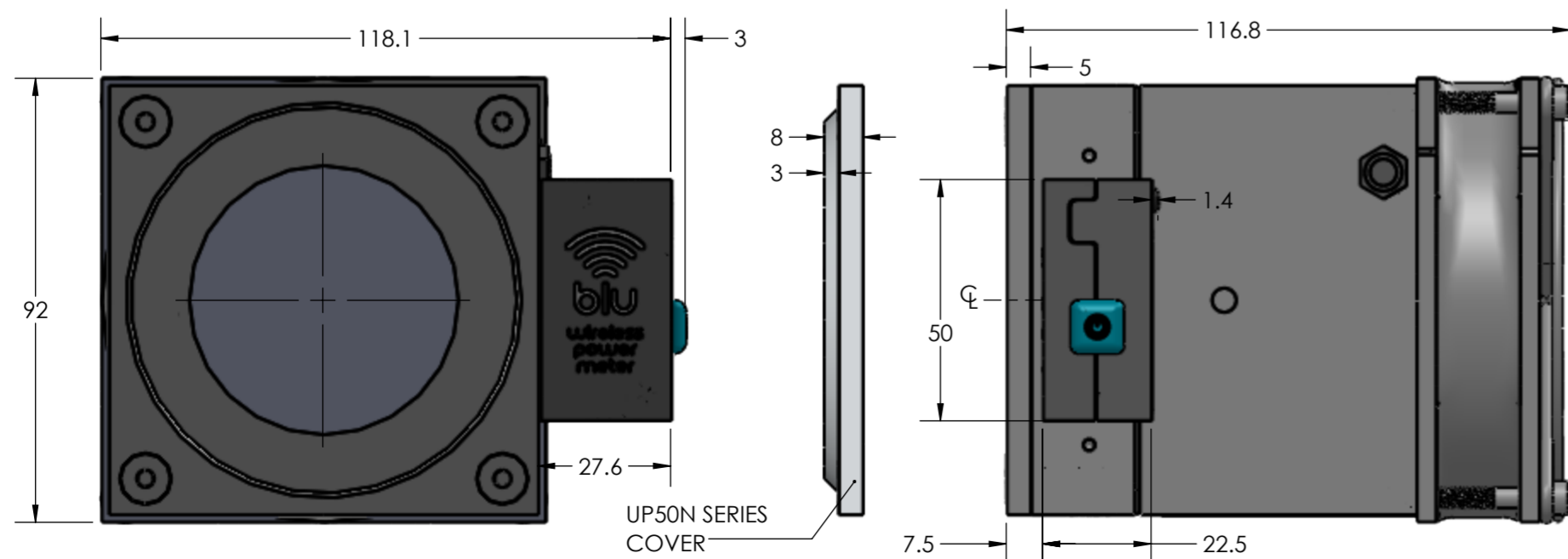
UP25N-40S-H9-BLU
UP50N-40S-W9-BLU
UP55N-40S/50S-H9/W9/VR-BLU



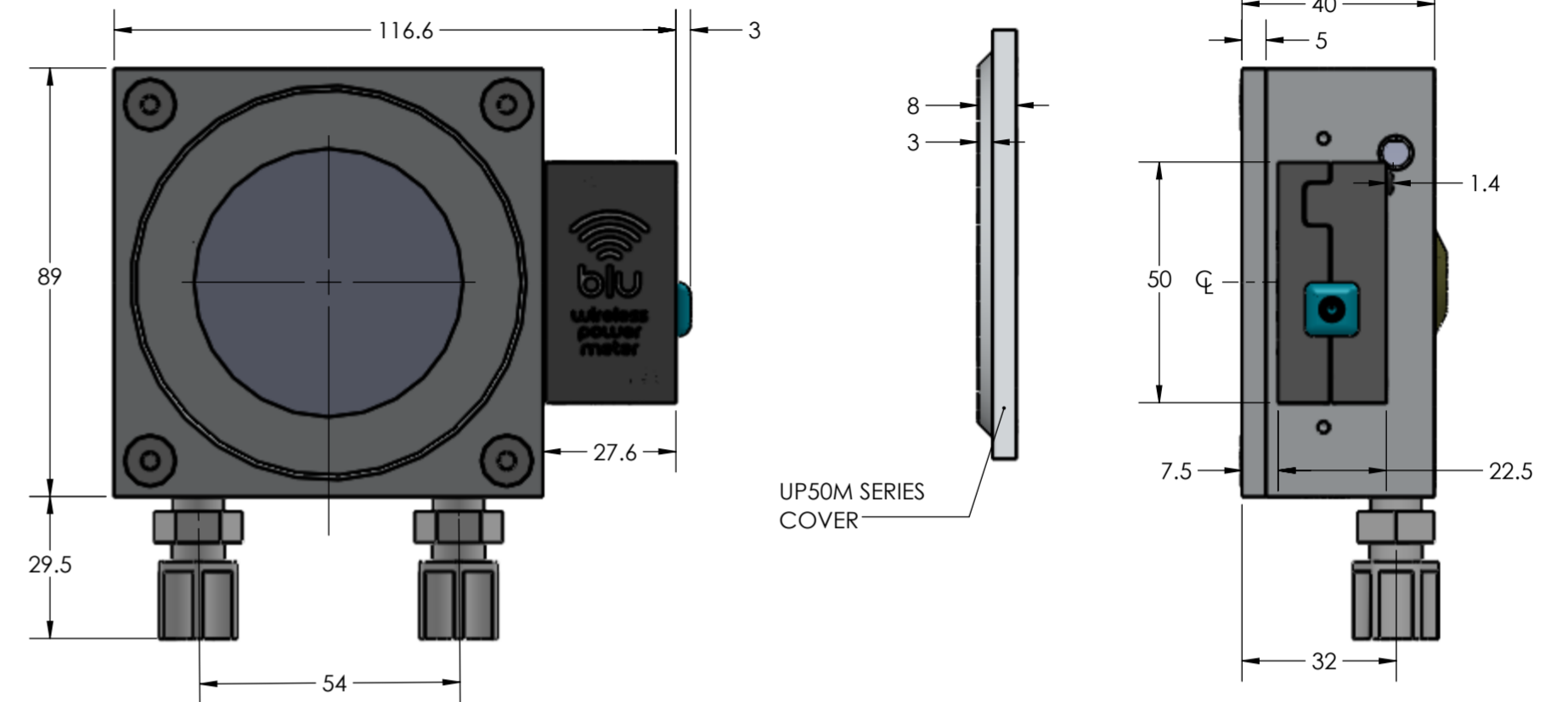
UP25N-100H-H9-BLU
UP50N-50H-W9-BLU
UP55N-50H/100H-W9/VR/H9-BLU



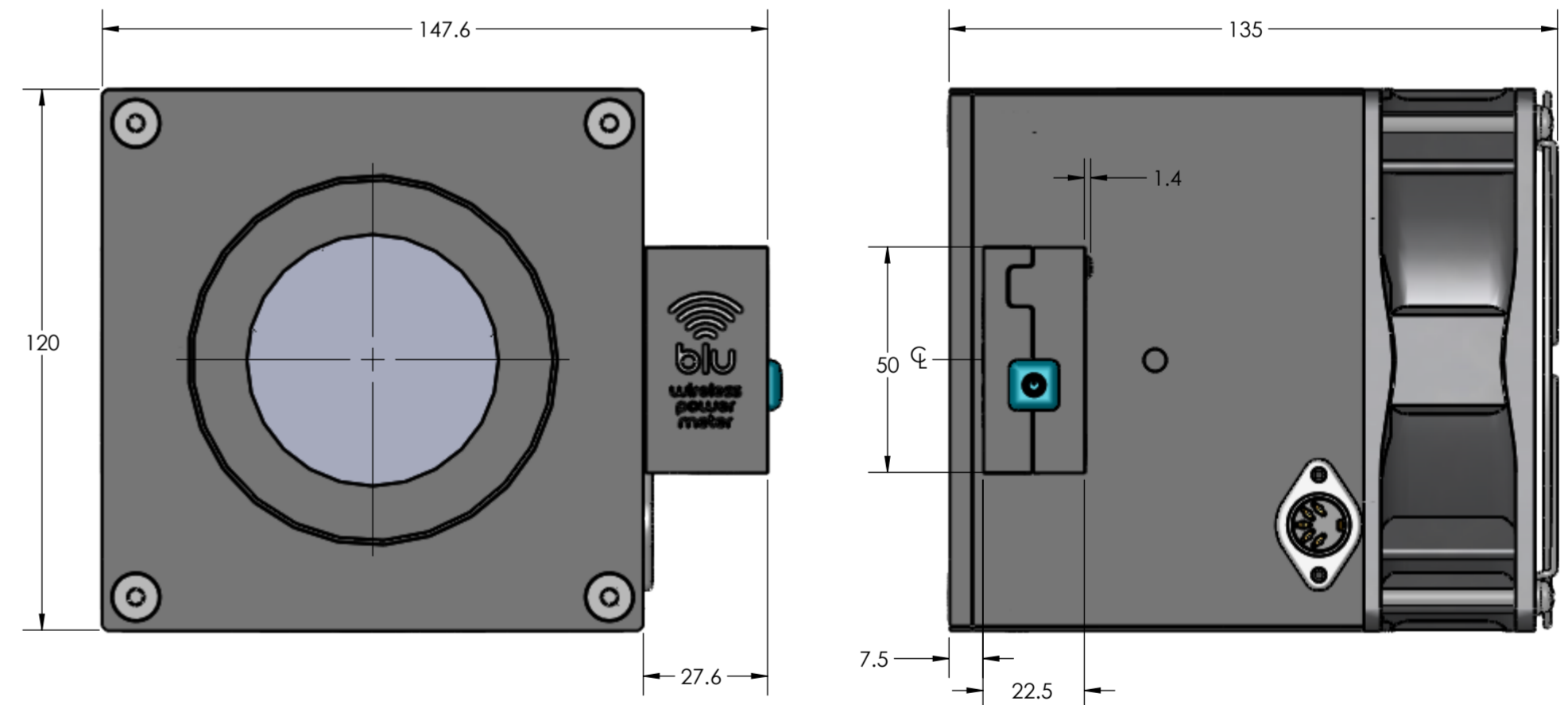
UP25N-250F-H12-BLU
UP50N-50F-W9-BLU
UP55N-50F/150F/300F-W9/VR/H12-BLU



UP25M-350W-H12-BLU
UP50M-50W-W9-BLU
UP55M-50W/200W/500W-W9/VR/H12-BLU

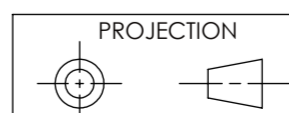


UP55G-600F-HD-BLU



NOTES:
 1- DIMENSION IN mm
 2- FOR DETECTOR DETAILS, SEE DRAWINGS:
 UP10K SERIES: SK-9529
 UP12 SERIES: SK-8478
 UP19 SERIES: SK-8476
 UP55C-2.5KW-HD-BLU-DO: SK-9295
 XLP12: SK-8698
 3- REFER TO "BLU, WIRELESS POWER METER"
 MANUAL FOR MORE DETAILS

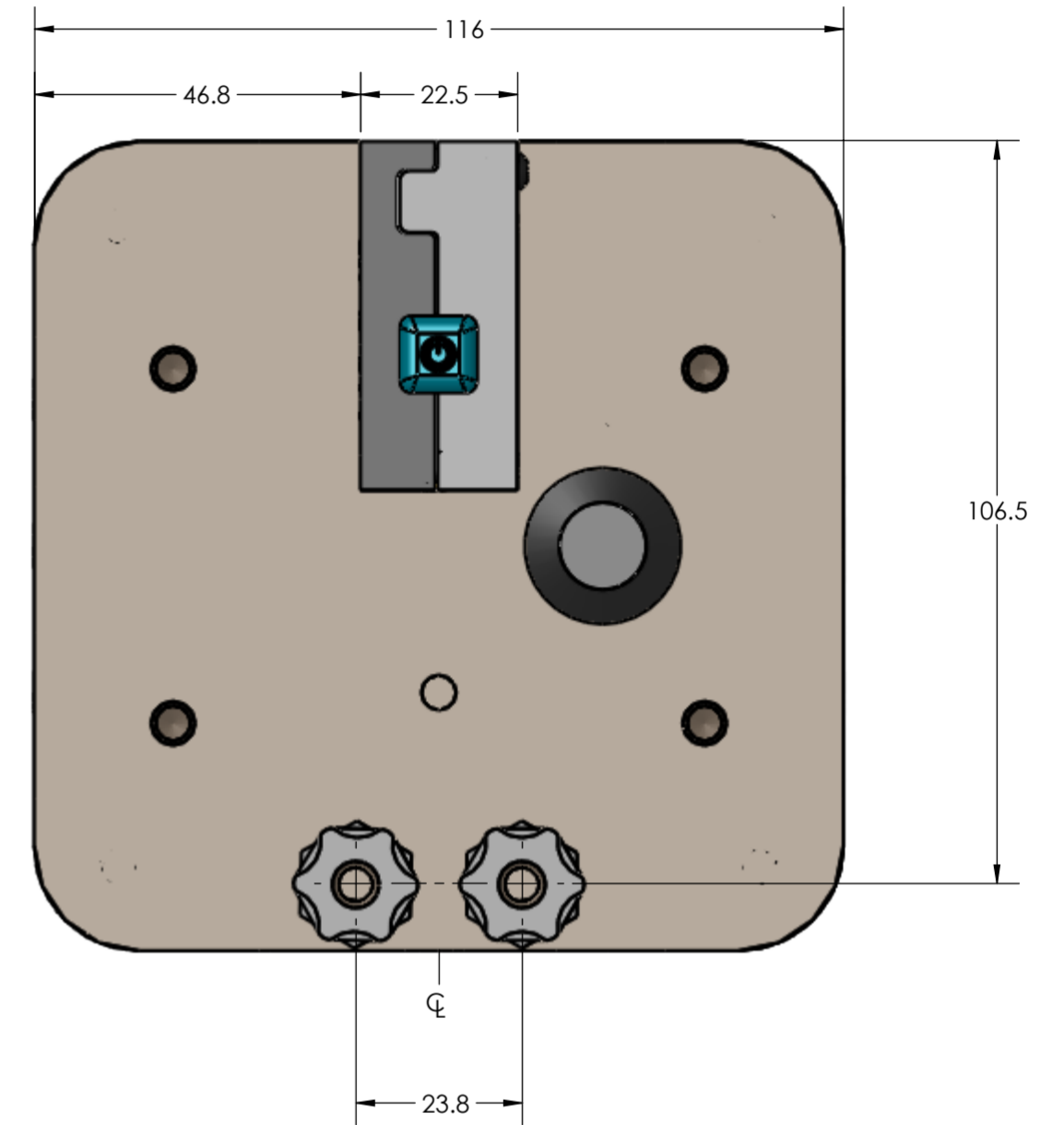
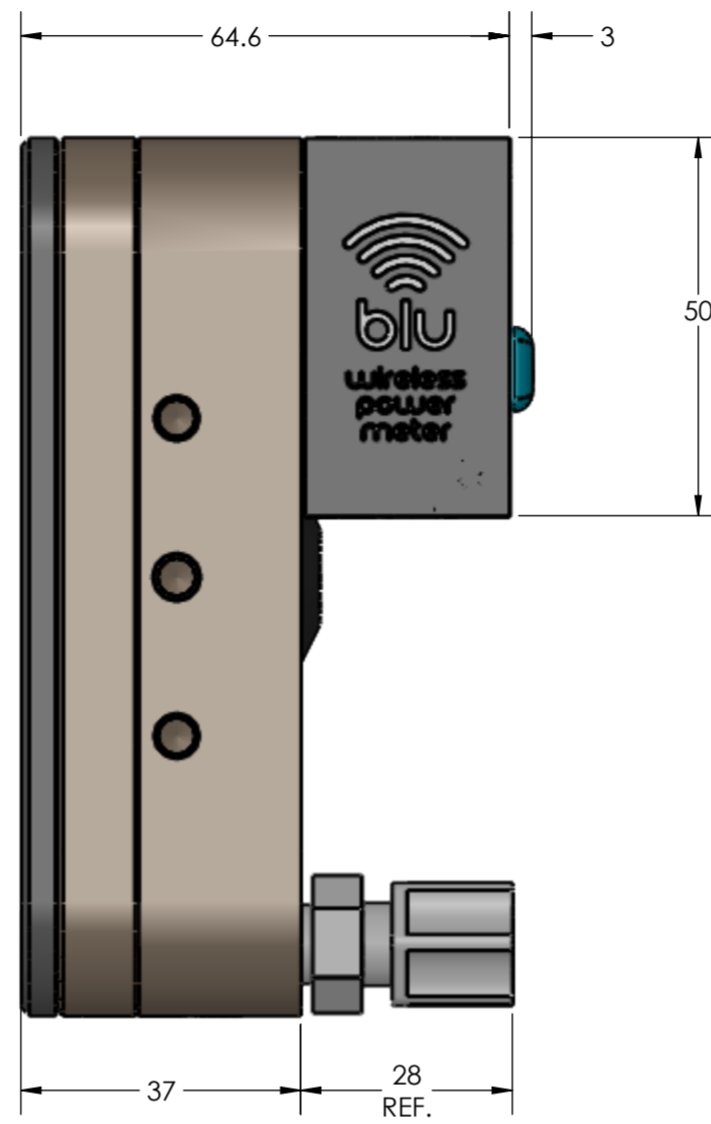
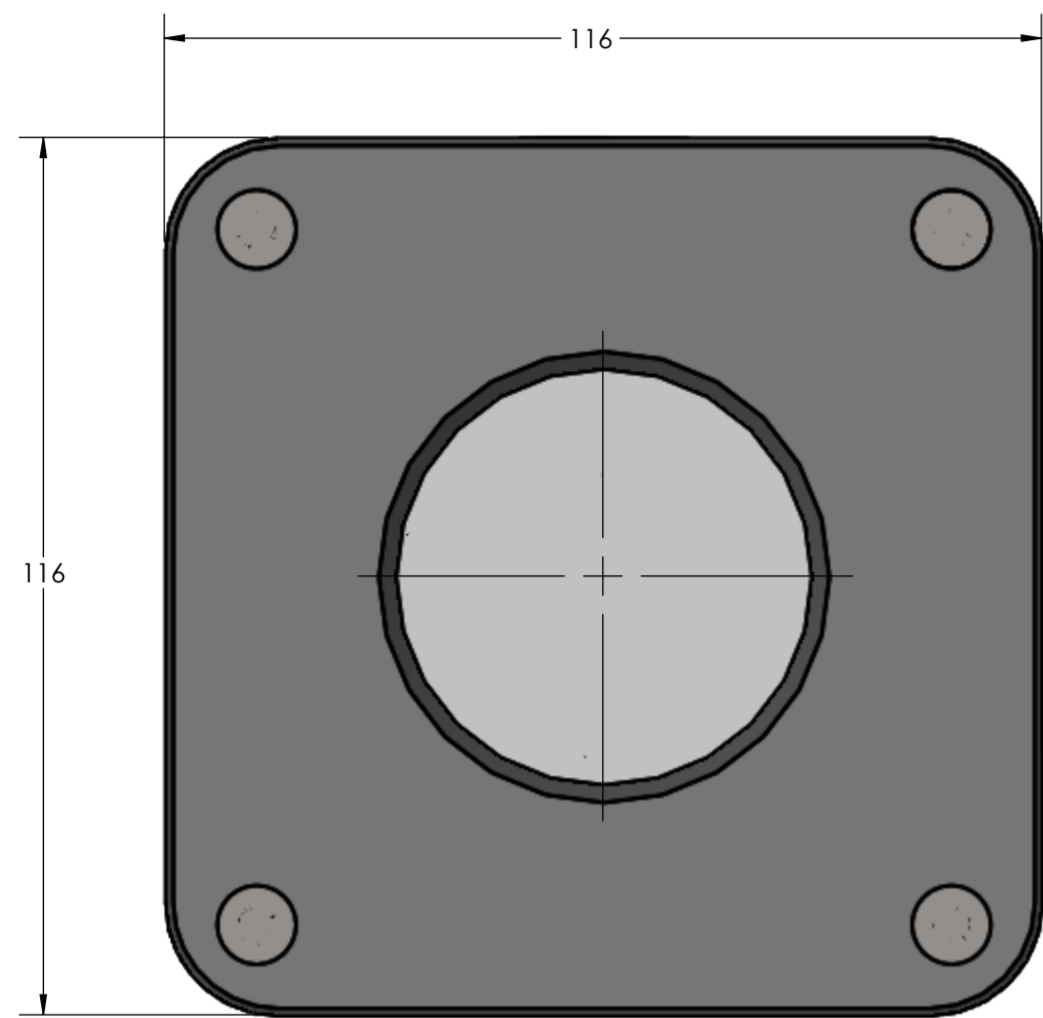
IMPORTANT:
 THIS DOCUMENT
 IS PROPERTY OF
 GENTEC ELECTRO-
 OPTICS, IT CANNOT
 BE DISTRIBUTED, USED
 OR REPRODUCED IN
 WHOLE OR IN PART
 WITHOUT EXPRESS
 WRITTEN AUTHORIZATION



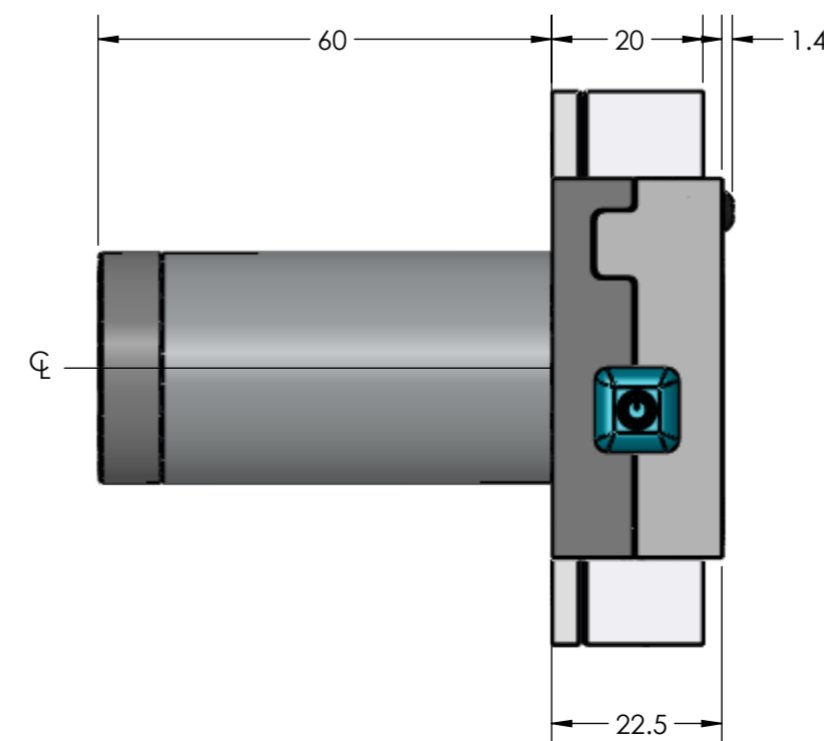
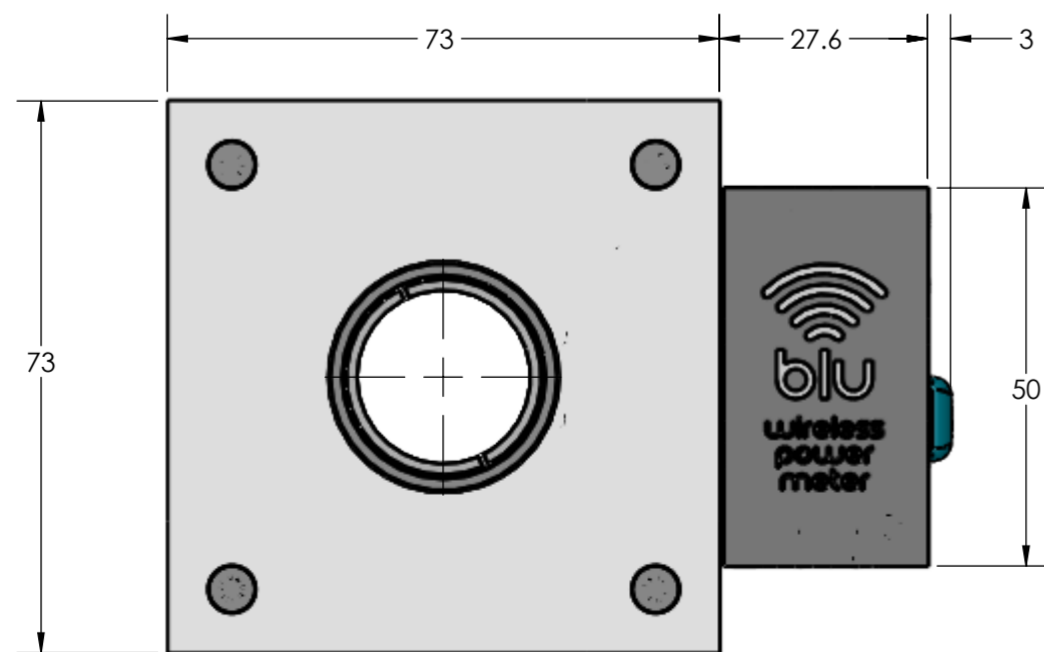
REVISION	A	SEE PAGE 1 FOR DETAILS
SEE PAGE 1 FOR APPROVALS		
S. BOUCHARD		
DATE	2017/11/16	LAYOUT DRAWING BLU, WIRELESS POWER METER UP25/50/55N(M) SERIES
SCALE	0.75:1	SK-9770
		P 2 OF 3

A2

UP55C-2.5KW-HD-BLU-D0

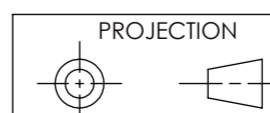


XLP12 SERIES



- NOTES:
 1- DIMENSION IN mm
 2- FOR DETECTOR DETAILS, SEE DRAWINGS:
 UP10K SERIES: SK-9529
 UP12 SERIES: SK-8478
 UP19 SERIES: SK-8476
 UP55C-2.5KW-HD-BLU-D0: SK-9295
 XLP12: SK-8698
 3- REFER TO "BLU, WIRELESS POWER METER"
 MANUAL FOR MORE DETAILS

IMPORTANT:
 THIS DOCUMENT
 IS PROPERTY OF
 GENTEC ELECTRO-
 OPTICS, IT CANNOT
 BE DISTRIBUTED, USED
 OR REPRODUCED IN
 WHOLE OR IN PART
 WITHOUT EXPRESS
 WRITTEN AUTHORIZATION



REV.	A	SEE PAGE 1 FOR DETAILS
gentec-EO		
APP.	LAYOUT DRAWING	
VER.	BLU, WIRELESS POWER METER	
S. BOUCHARD	UP55C / XLP SERIES	
DATE	2017/11/16	SK-9770
SCALE	1:1	
		P 3 OF 3 A2