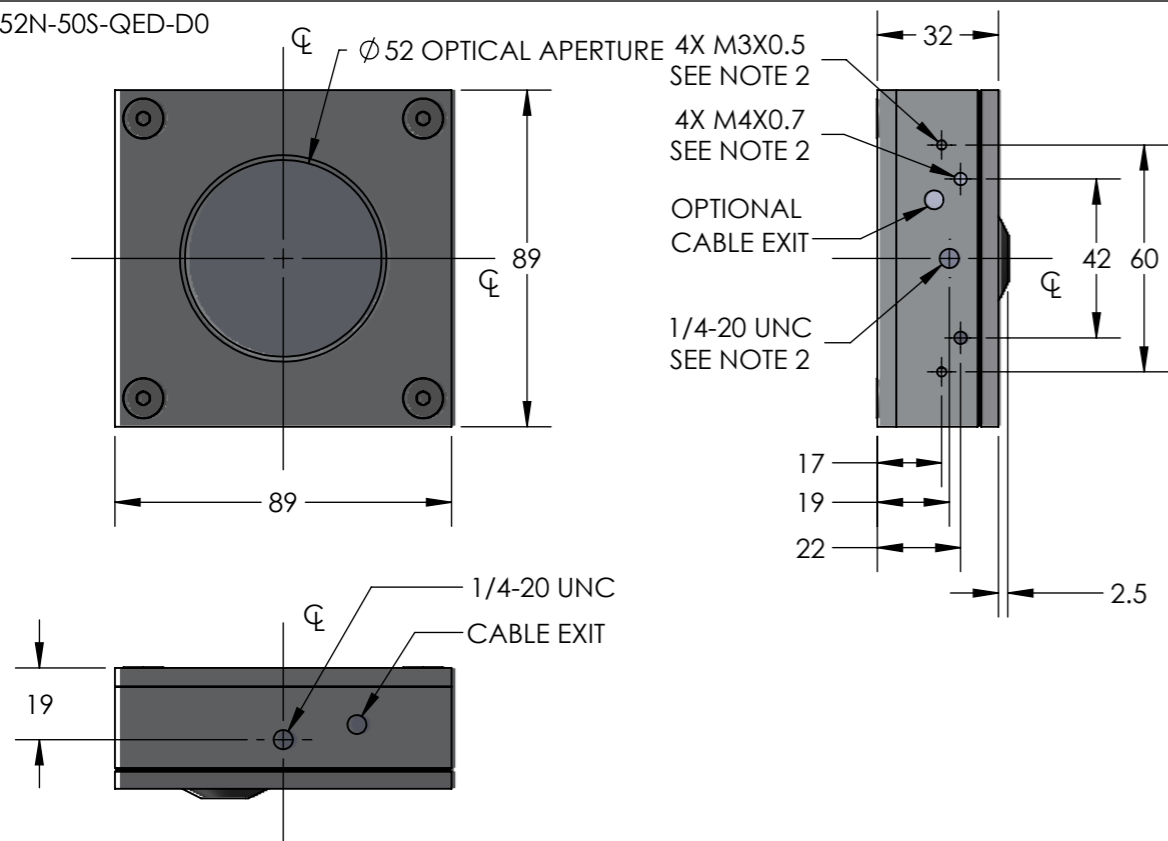
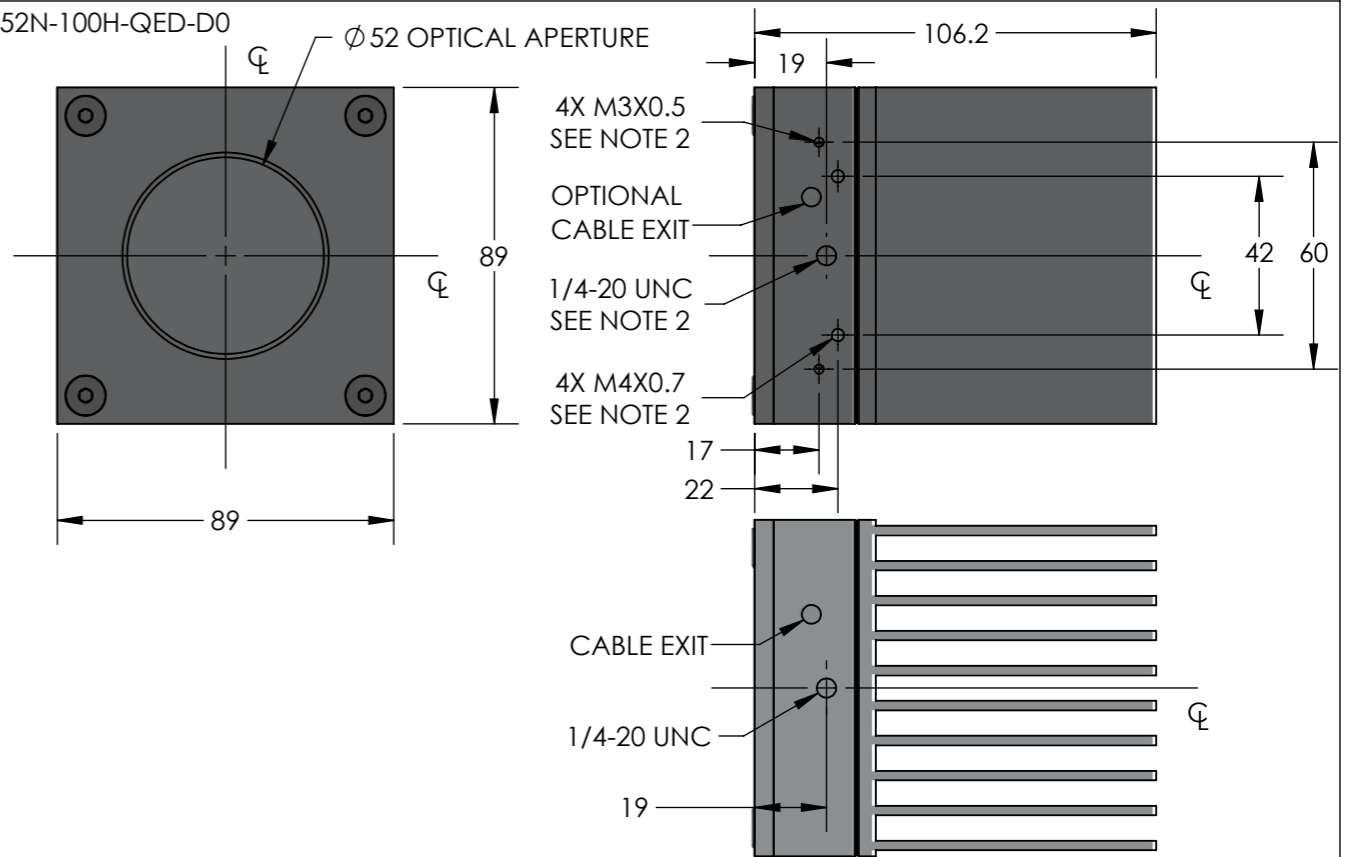


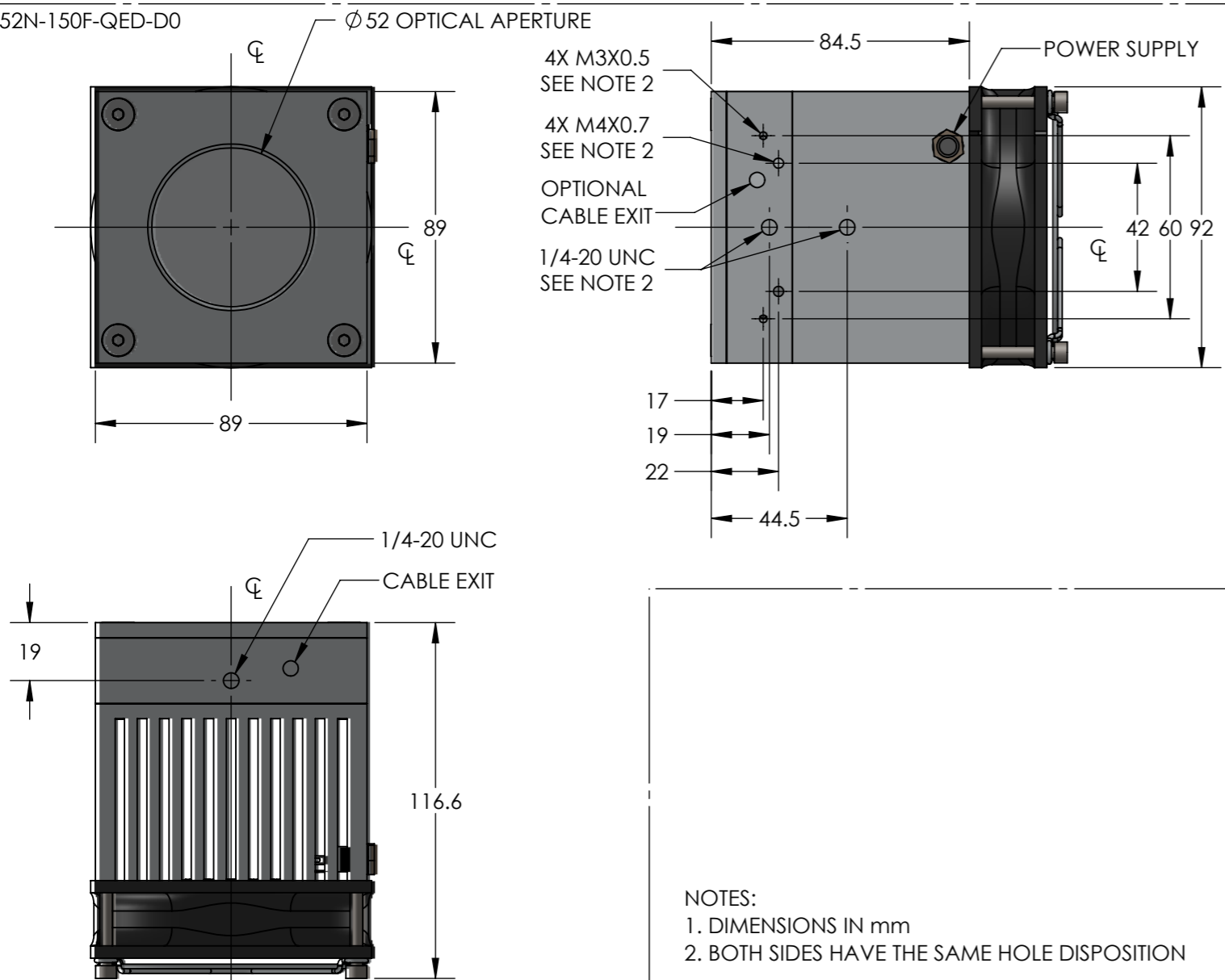
UP52N-50S-QED-D0



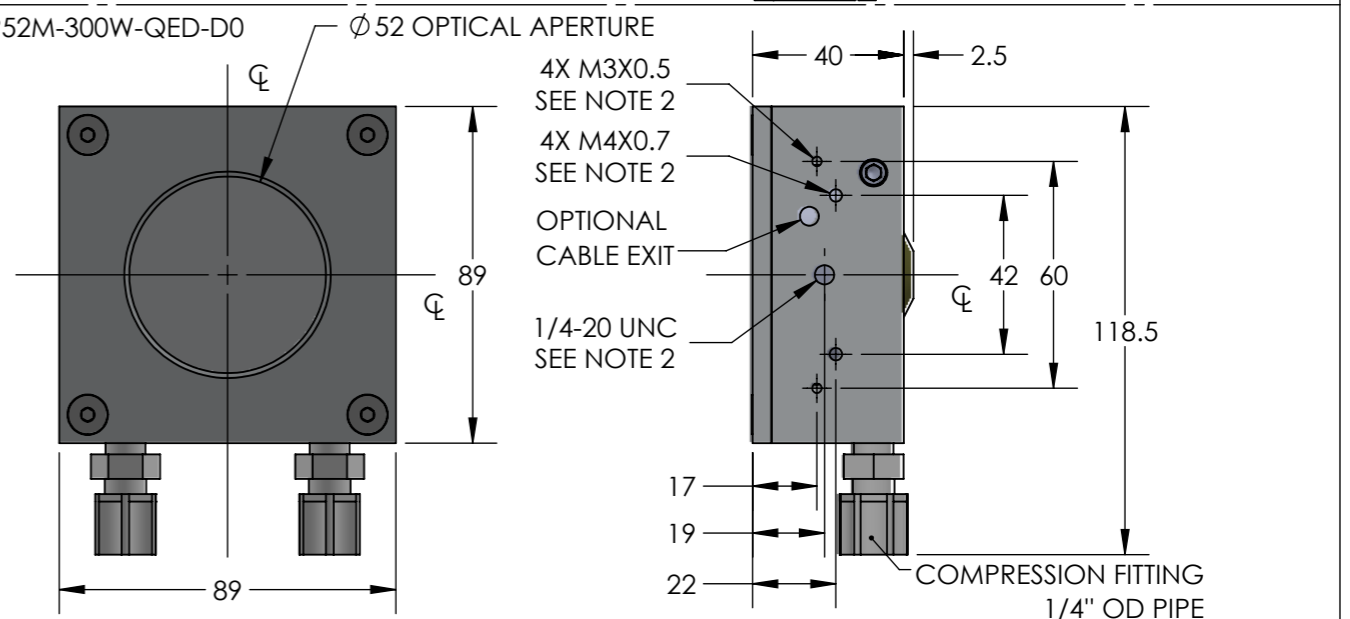
UP52N-100H-QED-D0



UP52N-150F-QED-D0

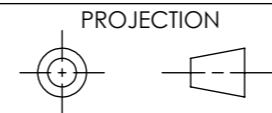


UP52M-300W-QED-D0



- NOTES:
 1. DIMENSIONS IN mm
 2. BOTH SIDES HAVE THE SAME HOLE DISPOSITION

IMPORTANT:
 THIS DOCUMENT IS PROPERTY OF GENTEC ELECTRO-OPTICS, IT CANNOT BE DISTRIBUTED, USED OR REPRODUCED IN WHOLE OR IN PART WITHOUT EXPRESS WRITTEN AUTHORIZATION



REF.	REVISION	DATE	VER	APP
TOLERANCE				
DEC.	±			
FRAC.	±			
ANGLE	±			
APP.	LAYOUT DRAWING			
VER.	UP52N/M...QED			
	UP...QED			
DATE	2018-08-31	SK-9859		A3
	1:2			