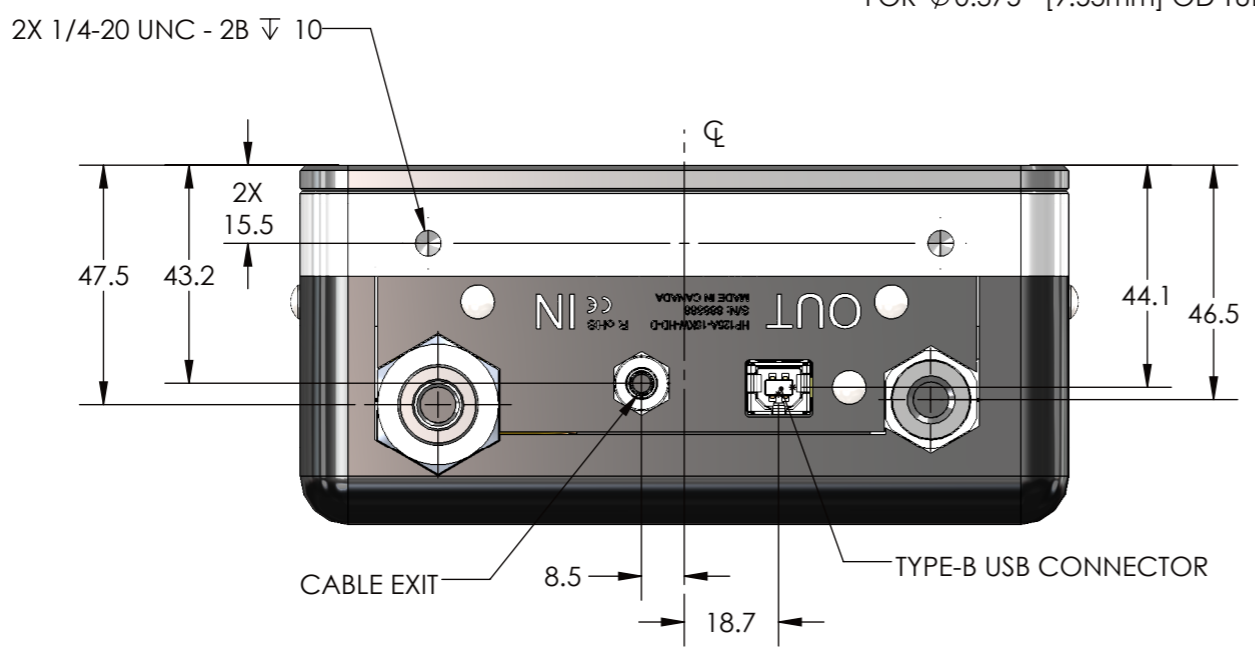
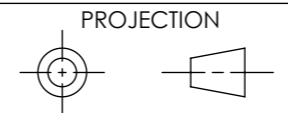


NOTE: DIMENSION IN mm



IMPORTANT:
THIS DOCUMENT IS PROPERTY OF GENTEC ELECTRO-OPTICS, IT CANNOT BE DISTRIBUTED, USED OR REPRODUCED IN WHOLE OR IN PART WITHOUT EXPRESS WRITTEN AUTHORIZATION



REF.	A	GENERAL UPDATE	2016/04/22	SB		
			DATE	VER	APP	
TOLERANCE						
DEC.	±					
FRAC.	±					
ANGLE	±					
APP.						
VER.						
DATE	RONALD V.H.					
			DATE	2012/12/19		LAYOUT DRAWING
				1:1.5		HP125A-15KW-HD
					SK-9331	A3