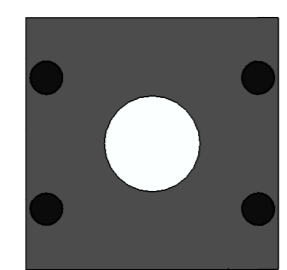


UP...-INT

SEE DETECTOR DRAWING FOR CABLE EXIT AND OTHERS DÉTAILS.

CABLE LENGHT 1800

USB 2.0 TYPE A CONNECTOR

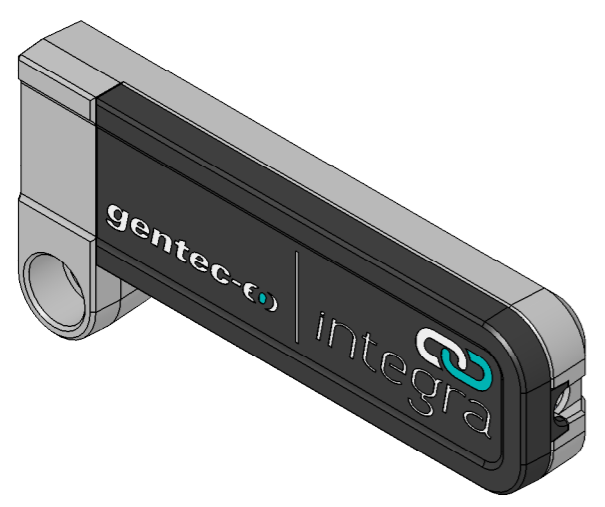
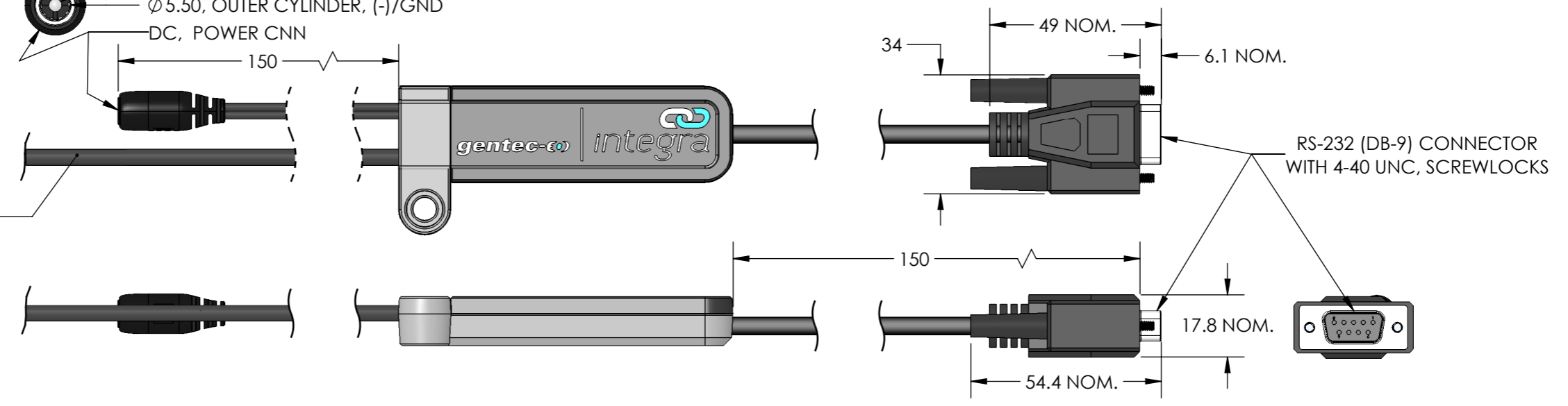


Ø 2.50, CENTER PIN, +12VDC
 Ø 5.50, OUTER CYLINDER, (-)/GND
 DC, POWER CNN

UP...-IDR

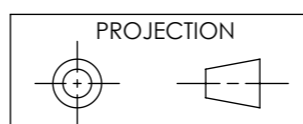
CABLE LENGHT 1800

RS-232 (DB-9) CONNECTOR WITH 4-40 UNC, SCREWLOCKS



NOTES:
 1- DIMENSIONS IN mm.

IMPORTANT:
 THIS DOCUMENT IS PROPERTY OF GENTEC ELECTRO-OPTICS, IT CANNOT BE DISTRIBUTED, USED OR REPRODUCED IN WHOLE OR IN PART WITHOUT EXPRESS WRITTEN AUTHORIZATION



A	DETECTOR INFORMATION ADDED	2016/07/04	SB		
REF.	REVISION	DATE	VER	APP	
TOLERANCE					
DEC.	±				
FRAC.	±				
ANGLE	±				
APP.		LAYOUT DRAWING			
VER.					
Ronald VH		INTEGRA SERIES WATTMETERS			
DATE	2016/01/20				
2:3		SK-9559	A3		