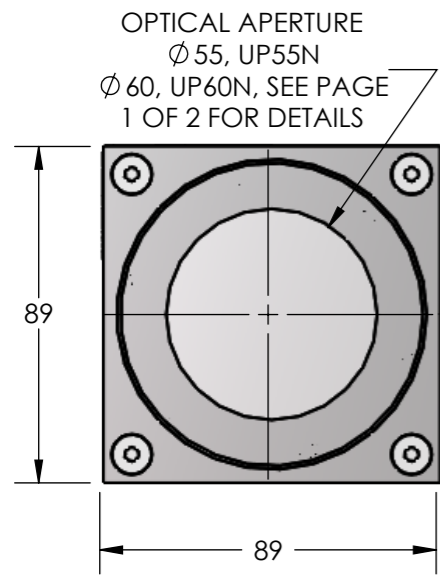
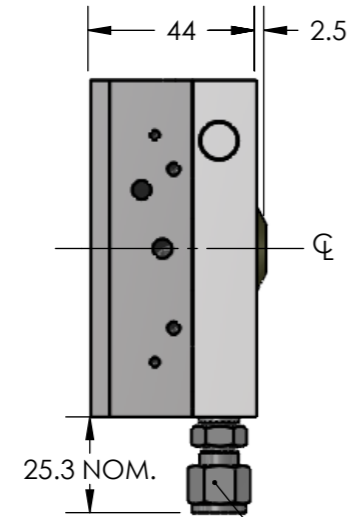


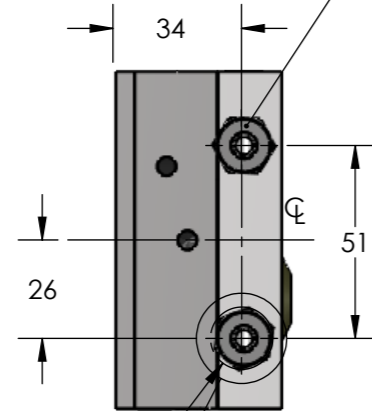
**FRONT VIEW, UP55N...
UP60N...**



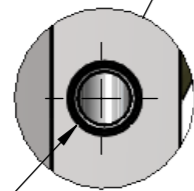
UP55/60N-xxxDI



2X STANDARD 1/4" OD TUBE
SST COMPRESSION FITTINGS



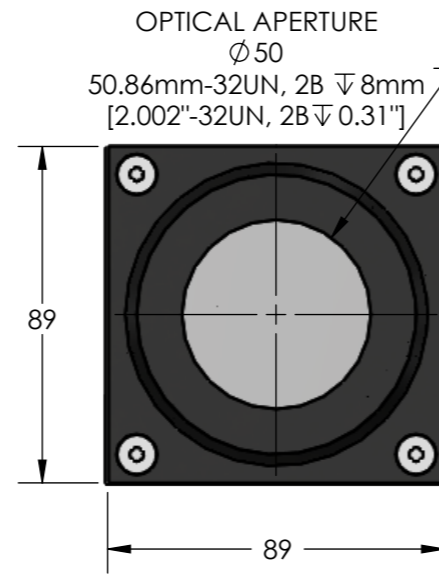
2X \varnothing 16.50
NOM.



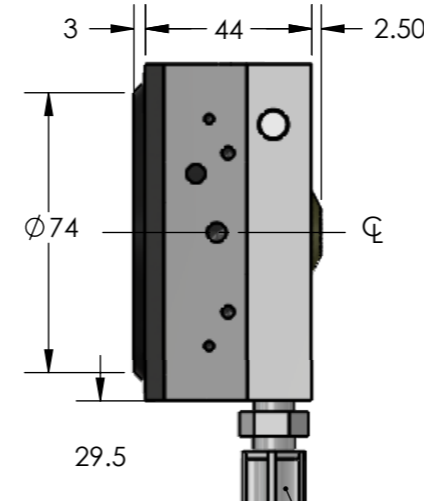
2X 1/8 NPT ∇ 11
(COMPRESSION
FITTING REMOVED)

DETAIL D
SCALE 1 : 1

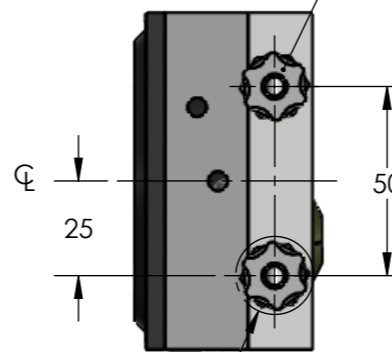
FRONT VIEW, UP50N...



UP50N-50W

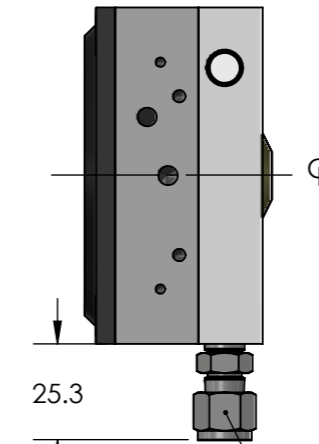


2X STANDARD 1/4" OD TUBE
NYLON COMPRESSION FITTING

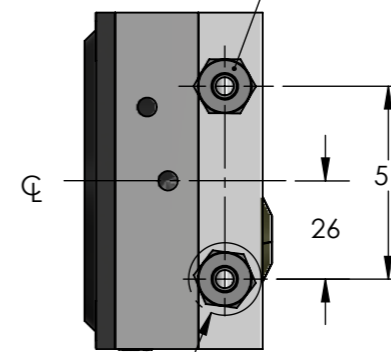


SEE DETAIL B

UP50N-xxDI



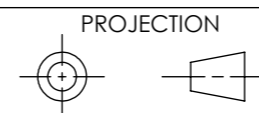
2X STANDARD 1/4" OD TUBE
SST COMPRESSION FITTINGS



SEE DETAIL D

NOTES:
1- DIMENSIONS IN mm
2- SEE P1 OF 2 FOR OTHER DETAILS

IMPORTANT:
THIS DOCUMENT
IS PROPERTY OF
GENTEC ELECTRO-
OPTICS, IT CANNOT
BE DISTRIBUTED, USED
OR REPRODUCED IN
WHOLE OR IN PART
WITHOUT EXPRESS
WRITTEN AUTHORIZATION



D	ACCORDING TO ACI-2721	2018/10/04	RL		
C	APERTURE THREADS QUOTED	2012/02/03	RVH		
B	ACCORDING TO ACI-0623	2006/12/01	RVH		
A	UP5x... DI VERSION ADDED TO P2 OF 2	2006/07/18	RL		
REF.	REVISION	DATE	VER	APP	

TOLERANCE	
DEC.	\pm
FRAC.	\pm
ANGLE	\pm
	$\sqrt{\quad}$

APP.	
VER.	
DATE	2003/10/24
	1:2

gentec-EO

DESSIN D'ASSEMBLAGE
UP50/55/60N
UP ULTRA SERIES

SK-8473

2 OF 2

A3