

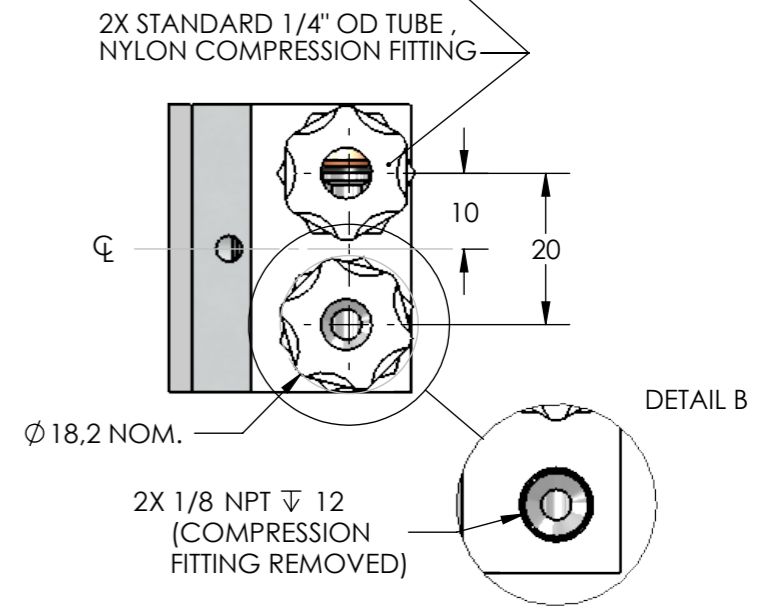
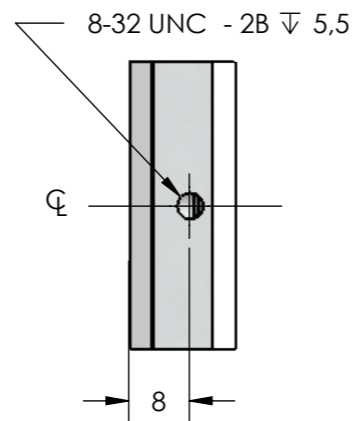
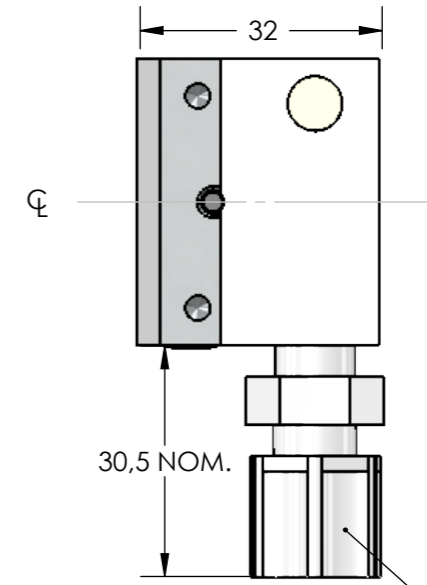
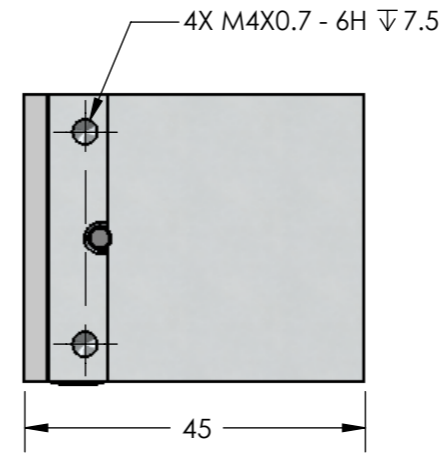
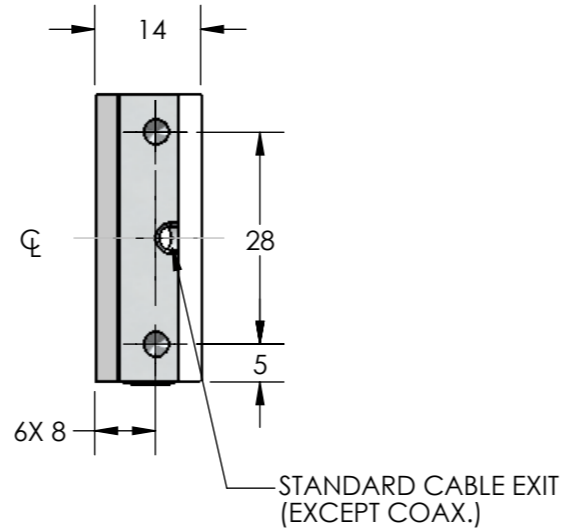
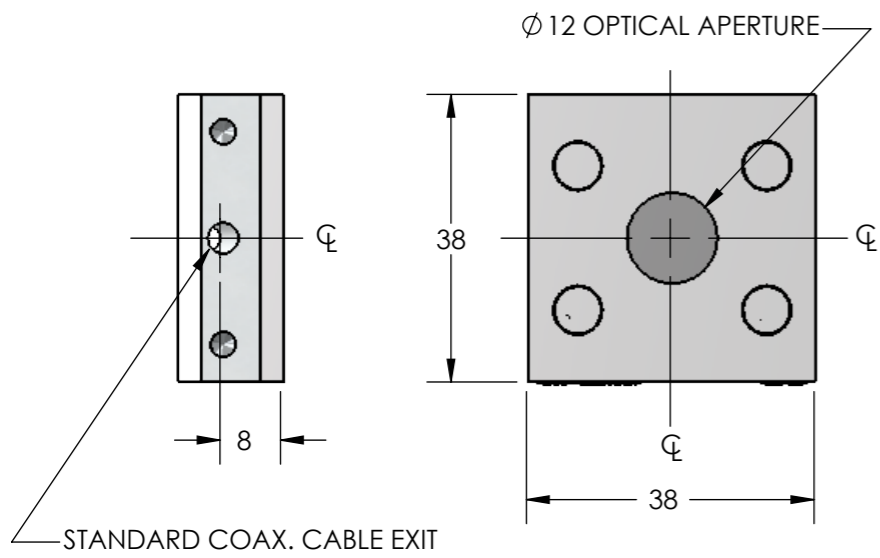
**UP12E-10S  
(LEFT SIDE)**

**FRONT VIEW,  
UP12E...**

**UP12E-10S  
(RIGHT SIDE)**

**UP12E-20H**

**UP12E-70W**

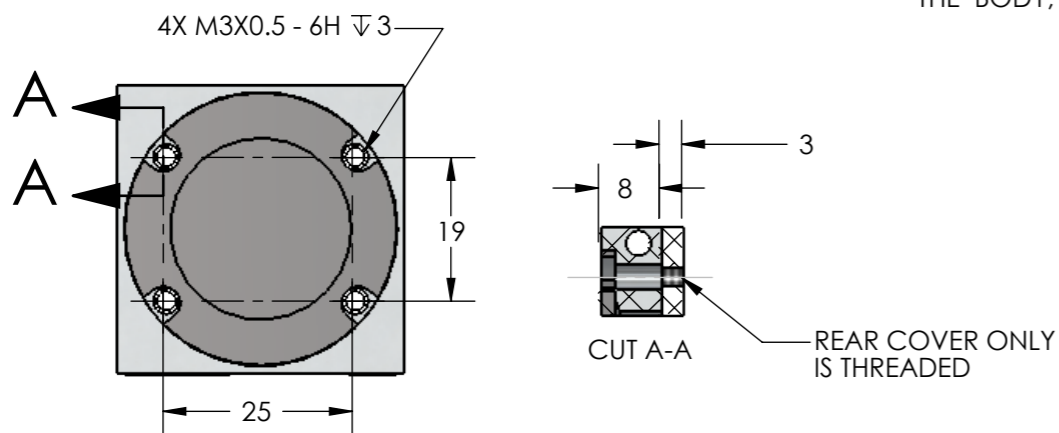


**MOUNTING WITHOUT FRONT COVER: UP12E-xxx-Hx**

SEE NOTES 2 & 3

**NOTES:**

- 1- DIMENSIONS IN mm
- 2- FASTENER LENGTH = 11mm + THICKNESS OF CUSTOMER SUPPLIED MOUNT
- 3- WATTMETER MUST BE FASTENED FROM THE FRONT IN ORDER TO SUPPORT THE BODY, THE THERMAL DISK AND THE REAR COVER OR HEATSINK.



**IMPORTANT:**  
THIS DOCUMENT IS PROPERTY OF GENTEC ELECTRO-OPTICS, IT CANNOT BE DISTRIBUTED, USED OR REPRODUCED IN WHOLE OR IN PART WITHOUT EXPRESS WRITTEN AUTHORIZATION



B	CABLE EXIT MODIFIED TO CABLE CLAMP	2016/06/29	RVH		
A	UD12 HOLES MODIFIED	08/10/20	RVH		
REF.	REVISION	DATE	VER	APP	

TOLERANCE	
DEC.	±
FRAC.	±
ANGLE	±
APP.	
VER.	
DATE	13/13/2005
	1:1

**gentec-EO**

LAYOUT DRAWING  
UP12E...(WITHOUT PCB)

SK-8478 A3