

**FRONT VIEW,
UP19K...**

UP19K-15S

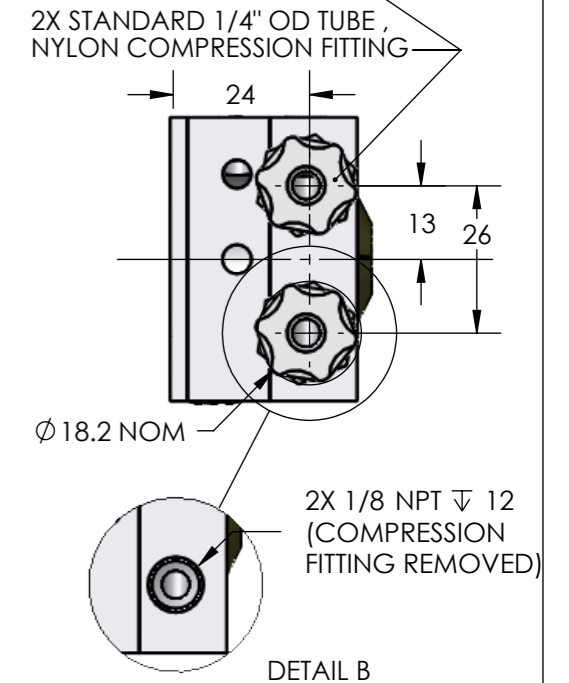
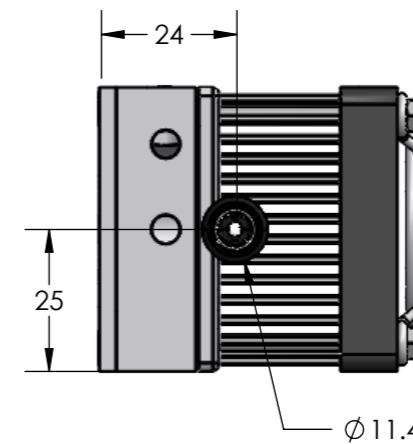
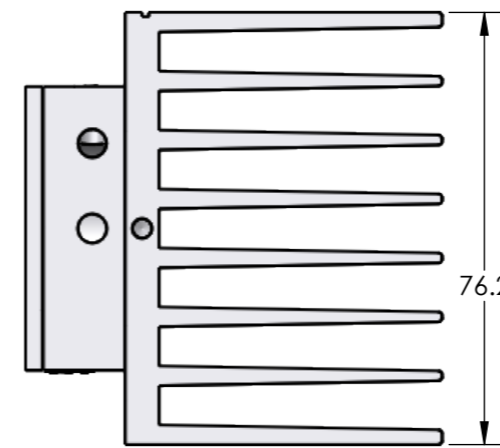
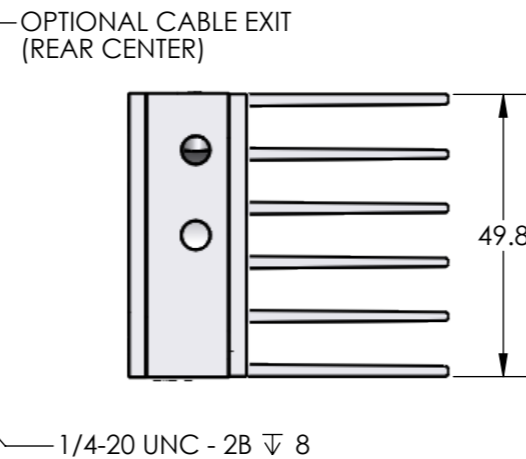
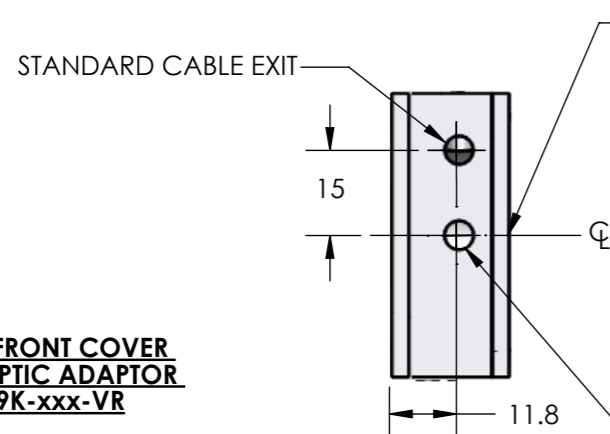
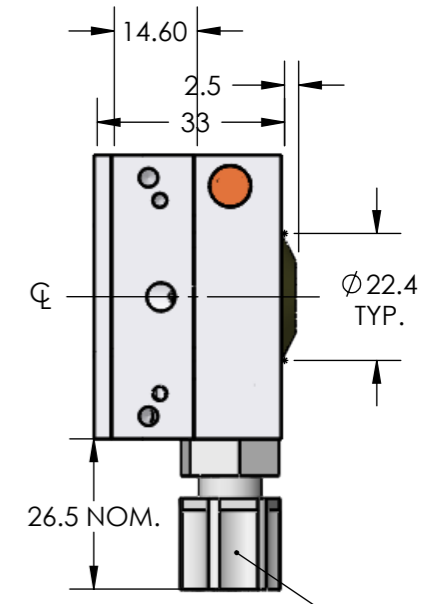
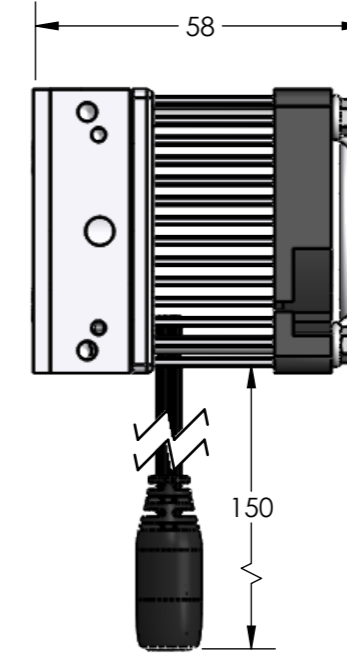
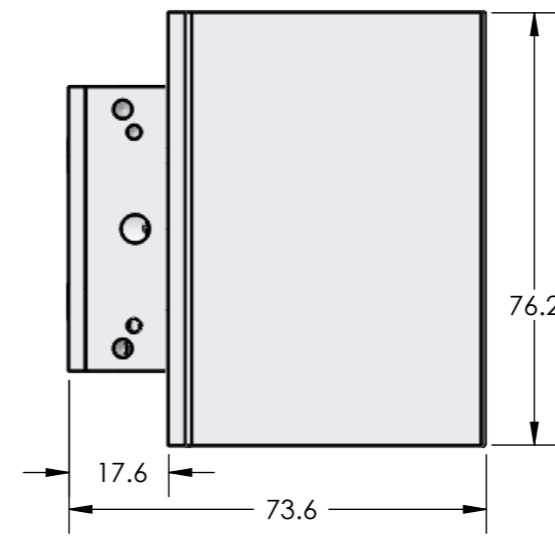
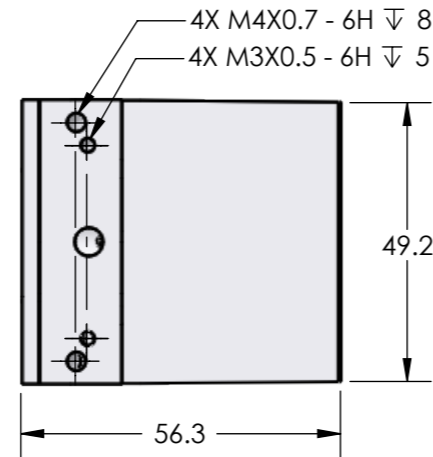
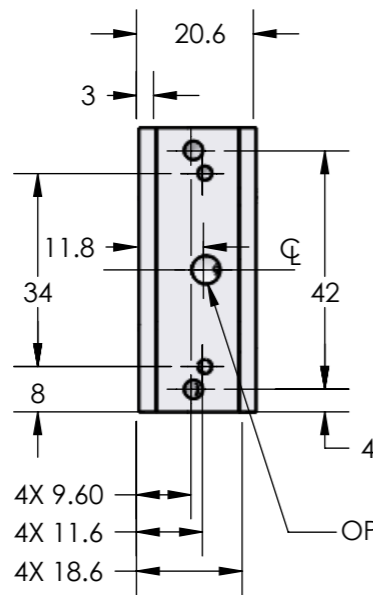
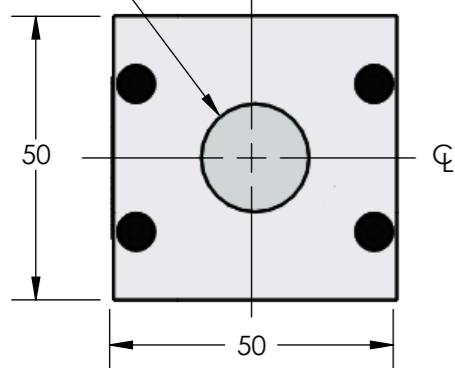
UP19K-30H

UP19K-50L

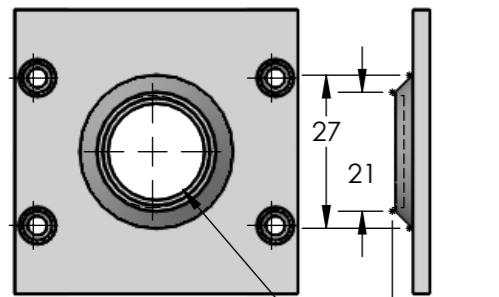
UP19K-110F

**UP19K-50W/150W/200W
UP19K-50W/150W-DI**

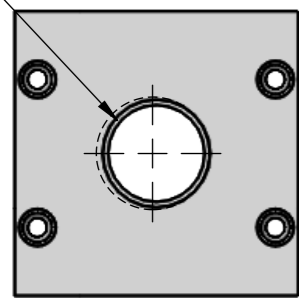
OPTICAL APERTURE
 $\phi 19$, UP19K-xxx-Hx/W5
 $\phi 18$, UP19K-xxx-VM/VR
 SEE NOTE 6



**OPTIONAL FRONT COVER
FOR FIBRE OPTIC ADAPTOR
OF UP19K-xxx-VR**



$\phi 17$ OPTICAL APERTURE,
SEE NOTE 2



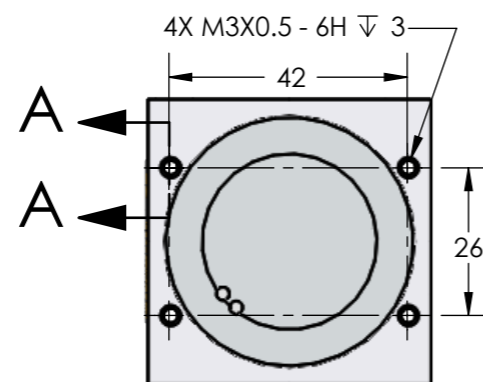
**OPTIONAL FRONT COVER
FOR FIBRE OPTIC ADAPTOR
OF UP19K-xxx-VM**

NOTES:

- 1- DIMENSIONS IN mm
- 2- THREADED 0.782"-32 UN, 2B
- 3- FASTENER LENGTH = 17.6mm + THICKNESS OF CUSTOMER SUPPLIED MOUNT
- 4- WATTMETER MUST BE FASTENED FROM THE FRONT IN ORDER TO SUPPORT THE BODY, THE THERMAL DISK AND THE REAR COVER OR HEATSINK.
- 5- DOES NOT APPLY TO UP19K-xxx-VM/VR
- 6- WHEN USED WITH FIBER OPTIC ADAPTERS, THE UP19K-xxx-W5 MUST BE EQUIPPED WITH AN OPTIONAL FRONT COVER HAVING A $\phi 19$ mm MECHANICAL APERTURE, THREADED 0.782"-32 UN, 2B.

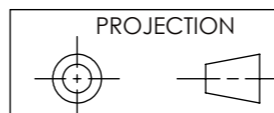
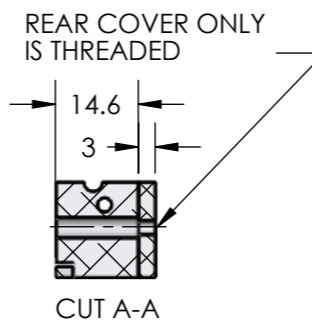
IMPORTANT:

CE DOCUMENT EST LA PROPRIETE DE GENTEC ELECTRO-OPTIQUE. IL NE DOIT PAS ETRE DEVOILE, UTILISE OU REPRODUIT EN TOUT OU EN PARTIE, SANS AUTORISATION ECRITE.



MOUNTING WITHOUT FRONT COVER: UP19K-xxx-Hx

SEE NOTES 4 & 5



REF.	REVISION	DATE	VER	APP
E	UP19K-110F-... MODEL UPDATE	2019/08/29	RL	
D	UP19K-XXX-W5 APERTURE HAVE CHANGED	2019/03/28	SB	

TOLERANCE	
DEC. FRAC. ANGLE	$\sqrt{\quad}$
APP.	
VER.	
DATE	13/12/2005
DATE	13/12/2005
DATE	13/12/2005



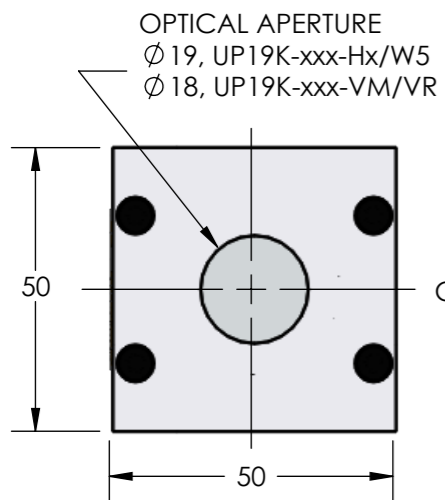
LAYOUT DRAWING
UP19K... (WITHOUT PCB)

SK-8477

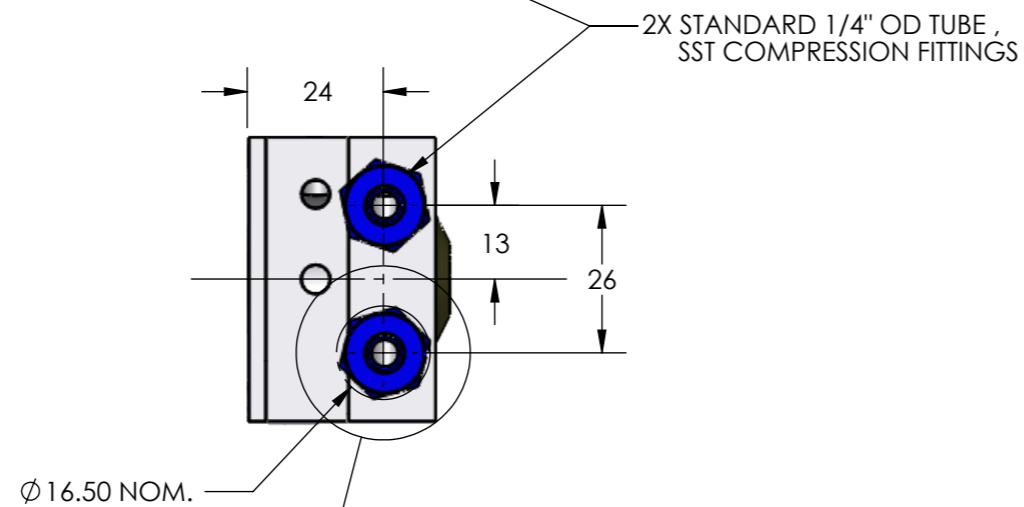
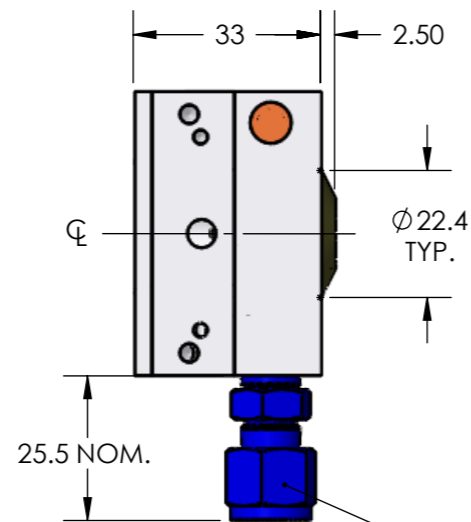
1 OF 3

A3

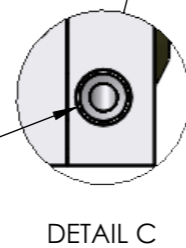
**FRONT VIEW,
UP19K...**



UP19K-100DI/150DI



2X 1/8 NPT ∇ 12
(COMPRESSION
FITTING REMOVED)



NOTES:
1- DIMENSIONS IN mm
2- SEE P1 OF 3 FOR OTHER DETAILS

IMPORTANT:
THIS DOCUMENT
IS PROPERTY OF
GENTEC ELECTRO-
OPTICS, IT CANNOT
BE DISTRIBUTED, USED
OR REPRODUCED IN
WHOLE OR IN PART
WITHOUT EXPRESS
WRITTEN AUTHORIZATION

REVISION	E	SEE PAGE 1 FOR DETAILS
----------	---	------------------------

TOLERANCE	
DEC.	±
FRAC.	±
ANGLE	±
	√

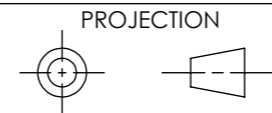


SEE PAGE 1
FOR
APPROVALS

LAYOUT DRAWING
UP19K... (WITHOUT PCB)

Ronald VH

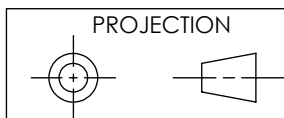
DATE 13/12/2005



3:4

SK-8477 A3
2 OF 3

IMPORTANT:
THIS DOCUMENT
IS PROPERTY OF
GENTEC ELECTRO-
OPTICS, IT CANNOT
BE DISTRIBUTED, USED
OR REPRODUCED IN
WHOLE OR IN PART
WITHOUT EXPRESS
WRITTEN AUTHORIZATION



E	UP19K-110F-... MODEL UPDATE	2019/08/29	RL		
D	UP19K-XXX-W5 APERTURE HAVE CHANGED	2019/03/28	SB		
C	VR INFORMATION ADDED	2009/11/18	RVH		
B	NOTE 6 ADDED, RELATIVE TO UP19K-xxx-W5	2007/01/29	RVH		
A	UP19K... DI VERSION ADDED TO P2 OF 2	2006/07/17	RVH		
REF.	REVISION	DATE	—	VER	APP
TOLERANCE					
DEC.	±				
FRAC.	±				
ANGLE	±				
√		LAYOUT DRAWING UP19K... (WITHOUT PCB)			
APP.					
VER.					
—	Ronald VH				
DATE	13/12/2005	SK-8477		A4	
	1:1				